

# FLUSION

**Fusion F3 Table Saw | MTSF3362203-0130**

**Fusion F3 Table Saw 52 | MTSF3362203-0130-52**

## Owner's Manual



**KEEP THIS MANUAL WITH THE MACHINE  
REFER TO OFTEN  
USE IT TO INSTRUCT OTHERS**

# LAGUNA

Laguna takes pride in our products and stands behind them with continuing service and support for our customers. Your Laguna machine was designed to bring a new dimension of productivity to your shop.

Before using your machine for the first time, learn how to use it. This manual covers a step-by-step process of assembly and machine operation. If you have any questions, this manual will provide answers.

We do our best to thoroughly document every product that we sell for customer reference. Several files are compiled to cover all components of a machine.

Several machines may be covered by one manual.

Many machines sold by Laguna include components with independent owners' manuals.

#### **Owner's Manuals**

Owners' manuals will guide the purchasing party

Warranty - All information about warranty, how to file a warranty claim, and how-to receiver support.

Safety - The safety related rules and guidelines set forth by the manufacturing parties to be strictly followed in the operation of the machine or product.

Set Up - Guidelines to set-up the product from state of shipping to state of operation.

Operation - Procedure based sections covering the basic process that the machine or product was designed to do.

Maintenance - Maintenance Schedule and procedures that must be followed.

Troubleshooting - Procedure based help sections to repair an out of service machine or product.

Parts - A list of replacement parts offered for the Machine. This section may not include all the parts included with the purchase – if the part was not included in this section then it will be available from a third party.

Schematics – Line drawings of electrical, pneumatic, and dimensional configurations of the machine or product.

#### **Specification Sheets**

Specification Sheets will aid in proper machine selection and serve as a reference for the purchasing party. For convenience, the specifications sheet has been included in the end of this manual.

Description - A detailed description of why the machine was developed,

General Specifications - All specifications that are common to all machine categories.

Category Specifications - Specifications unique to the specific category of the machine.

Dimensional Drawing

Capacities Drawing

Accessories, Options, and Consumables

#### **Videos**

In most cases a video is the best media to cover a setup or help topic.

All videos made by Laguna are uploaded and stored to youtube.com where they are then linked to websites.

<https://www.youtube.com/user/LagunaTools>

#### **Websites**

Websites holds all information about our product range. Check it often for any updates to your machine. As innovation happens, that is where you will find it.

[lagunatools.com](http://lagunatools.com)

[lagunatools.ca](http://lagunatools.ca)

[lagunatools.eu](http://lagunatools.eu)

[supermaxtools.com](http://supermaxtools.com)

[lagunacleanair.com](http://lagunacleanair.com)

[lagunalathe.com](http://lagunalathe.com)

The information contained in this publication was correct at the time of print. In the interest of continuous innovation, we reserve the right to change specifications, design or included equipment without notice or obligation. No part of this publication may be reproduced, transmitted, or translated into any language in any form by any means without our written permission. Errors and omissions may be current.

Laguna Tools, Inc. LAGUNA® and the LAGUNA Logo® are the registered trademarks of Laguna Tools, Inc. All rights reserved. 04/01/2019

**LAGUNA**

2072 Alton Parkway Irvine, CA 92606 U.S.A.

Service: +1 (949) 474-1200 or email [customerservice@lagunatools.com](mailto:customerservice@lagunatools.com)

[lagunatools.com](http://lagunatools.com)

## Table of Contents

|   |           |
|---|-----------|
| <b>Table of Contents .....</b>                                | <b>3</b>  |
| <b>Warranty &amp; Support .....</b>                           | <b>4</b>  |
| Registration .....  | 4         |
| Who Is Covered? .....   | 4         |
| What Is Covered.....  | 4         |
| Warranty Limitations .....                                    | 4         |
| Length of Warranty .....                                      | 4         |
| Shipping Damage .....   | 4         |
| <b>Safety.....</b>  | <b>5</b>  |
| Safety Guidelines - Definitions .....                         | 5         |
| Important Safety Instructions .....                           | 5         |
| General Safety Rules .....                                    | 5         |
| CSA Required Safety Information.....                          | 6         |
| <b>Specifications.....</b>                                    | <b>15</b> |
| Fusion F3 Table Saw (MTSF3362203-0130) .....                  | 15        |
| Fusion F3 Table Saw 52 (MTSF3362203-0130-52).....             | 19        |
| <b>Setup .....</b>  | <b>23</b> |
| Fusion F1 Table Saw (MTSF132110150-0130) .....                | 23        |
| <b>Setup Help Sections.....</b>                               | <b>26</b> |
| <b>Maintenance &amp; Troubleshooting.....</b>                 | <b>27</b> |
| Safety Device Alignment .....                                 | 28        |
| Table/Blade/Fence Alignment.....                              | 28        |
| <b>Wiring .....</b>   | <b>31</b> |
| Fusion F3 Table Saw (MTSF3362203-0130) .....                  | 32        |
| Fusion F3 Table Saw 52 (MTSF3362203-0130-52).....             | 33        |
| <b>Parts.....</b>   | <b>34</b> |
| F3 CE Rail & Rear Table.....                                  | 34        |
| F3 Internal.....  | 35        |
| F3 Miter Gauge & Blade Guard.....                             | 36        |
| F3 Table & Cabinet.....                                       | 37        |
| Fusion F3 Table Saw Parts Table (MTSF3362203-0130) .....      | 38        |
| <b>Parts   Fusion F3 52 Table Saw (MTSF3362203-0130).....</b> | <b>44</b> |
| Fusion F3 52 Table Saw Parts Table (MTSF3362203-0130).....    | 44        |

## Warranty & Support

This machine is covered by a warranty and your dealer can answer any questions you may have. Additionally, we will always be here to offer support, service information, and product supplies and services.

Laguna Tools® Customer Service  
2072 Alton Parkway, Irvine,  
California 92606, USA  
8AM ET to 5PM PST Monday through Friday

**LagunaTools.com**  
**Service: +1 (949) 474-1200**  
**customerservice@lagunatools.com**

Every product sold is warranted to be free of manufacturers' defective workmanship, parts, and materials. For any questions about this product, the intended use or what it was designed for, customer service, or replacement parts – please reach out to our customer service department.

### Registration

To prevent voiding this warranty, all products sold must be registered within thirty (30) days of receiving. Registering the product will enable the original purchaser to receive notifications about important product changes and receive customer support.

<https://lagunatools.com/policies/warranty/>

### Who Is Covered?

The applicable warranty covers only the initial purchaser of the product from the receipt date. The original purchaser must present the original receipt as proof of purchase.

### What Is Covered

Any part, determined by Laguna Tools®, to have a defect will be repaired or replaced (and shipped), without charge. It is required that the defective item/part be returned to Laguna Tools® with the complaint and proof of purchase in the original packaging that it was received. In the event the item/part is determined to be void of this warranty, the customer will be responsible for the cost to replace the item/part and all related shipping charges.

### Warranty Limitations

This limited warranty does not apply to natural disasters, acts of terrorism, normal wear and tear, product failure due to lack of maintenance or cleaning, damage caused by accident, neglect, or lack-of/inadequate dust collection.

The warranty may be voided against proof of misuse/abuse, damage caused where repair or alterations have been made or attempted by others, using the product for purposes other than those described as intended use (unless with consent by Laguna Tools®), modification to the product, or use with an accessory that was not designed for the product. It is the responsibility of the user to understand basic woodworking machinery settings and procedures and to properly maintain the equipment in accordance with the standards provided in this manual.

### Length of Warranty

2 Year – New purchases through authorized dealers.  
1 Year – New purchases directly from Laguna Tools.  
1 Year – Blades and Accessories

Aside from being free of defects upon receiving, consumable parts, like cutters and abrasives, are not covered by this warranty unless otherwise stated by Laguna Tools®. These parts are designed to be used at the expense of the operator and are available for replacement or inventory purchase.

### Shipping Damage

Laguna Tools® and the purchasing customer is not responsible for damage or loss caused by a freight company or other circumstances not in the direct control of Laguna Tools®. All shipping related claims for loss or damaged goods must be made to Laguna Tools within twenty-four hours of delivery.

## Safety

Read and understand all warnings and operation instructions before using any tool or equipment. Always follow basic safety precautions to reduce the risk of personal injury. Improper operation, maintenance or modification of tools or equipment could result in serious injury and property damage. There are certain applications for which tools and equipment are designed. This product should NOT be modified and/or used for any application other than for which it was designed.

It is important for you to read and understand this manual. The information it contains relates to protecting your safety and preventing problems.

### Safety Guidelines - Definitions

This manual contains information that is important for you to know and understand. This information relates to protecting your safety and preventing equipment problems. To help you recognize this information, we use the symbols below. Please read the manual and pay attention to these sections.

- ⚠ DANGER!** Indicates an imminently hazardous situation which, if not avoided, will result in death or serious injury.
- ⚠ WARNING!** Indicates a potentially hazardous situation which, if not avoided, could result in death or serious injury.
- ⚠ CAUTION!** Indicates a potentially hazardous situation which, if not avoided, may result in minor or moderate injury.
- TECH TIP** Indicates a helpful tip from our technical staff.

### Important Safety Instructions

**⚠ WARNING!** Read and understand all warnings and operating instructions before using this equipment. Failure to follow all instructions listed below, may result in electric shock, fire, and/or serious personal injury or property damage.

Woodworking can be dangerous if safe and proper operating procedures are not followed. As with all machinery, there are certain hazards involved with the operation of the product. Using the machine with respect and caution will considerably lessen the possibility of personal injury. However, if normal safety precautions are overlooked or ignored, personal injury to the operator may result. Safety equipment such as guards, push sticks, hold-downs, feather boards, goggles, dust masks and hearing protection can reduce your potential for injury. But even the best guard won't make up for poor judgment, carelessness or inattention. Always use common sense and exercise caution in the workshop. If a procedure feels dangerous, don't try it. Figure out an alternative procedure that feels safer. **REMEMBER:** Your personal safety is your responsibility.

**⚠ WARNING!** This machine was designed for certain applications only. We strongly recommend that this machine not be modified and/or used for any application other than that for which it was designed. If you have any questions relative to a particular application, do not use the machine until you have first contacted the manufacturer to determine if it can or should be performed on the product.

If you have any questions relative to its application do not use the product until you have contacted the manufacturer and we have advised you.

### General Safety Rules

**⚠ WARNING!** FAILURE TO FOLLOW THESE RULES MAY RESULT IN SERIOUS PERSONAL INJURY.

**FOR YOUR OWN SAFETY, READ AND UNDERSTAND THE INSTRUCTION MANUAL BEFORE OPERATING THE MACHINE.** Learn the unit's application and limitations as well as the specific hazards peculiar to it.

**KEEP WORK AREA CLEAN.** Cluttered areas and benches invite accidents.

**DON'T USE IN DANGEROUS ENVIRONMENT.** Don't use this unit in damp or wet locations or expose it to rain. Keep work area well-lighted.

**KEEP CHILDREN AND VISITORS AWAY.** All children and visitors should be kept a safe distance from work area.

**DISCONNECT UNIT** before servicing.

**CHECK DAMAGED PARTS.** Before further use of the unit, properly repair or replace any part that is damaged.

### CSA Required Safety Information

**WARNING!** For Your Own Safety Read Instruction Manual before Operating Tablesaw.

- (a) **⚠ DANGER!** – Never place your hands in the vicinity or in line with the saw blade.
- (b) **⚠ WARNING!** – "Wear eye protection" or the sign M004 of ISO 7010.
- (c) **⚠ WARNING!** – Always use a properly functioning saw-blade guard, riving knife and anti-kickback device for every operation for which it can be used, including all through sawing.
- (d) **⚠ WARNING!** – Use a push-stick or push-block when required.
- (e) **⚠ WARNING!** – Do not perform any operation freehand.
- (f) **⚠ WARNING!** – Pay particular attention to instructions on reducing risk of kickback.
- (g) **⚠ WARNING!** – Never reach around or over saw blade.
- (h) **⚠ WARNING!** – Turn off tool and wait for saw blade to stop before moving workpiece or changing settings.
- (i) **⚠ WARNING!** – Never stand directly in line with the saw blade. Always position your body on the same side of the saw blade as the fence.

In addition, use hearing protection and wear gloves when handling saw blades.

#### Guarding Related Warnings

Keep guards in place. Guards must be in working order and be properly mounted. A guard that is loose, damaged, or is not functioning correctly must be repaired or replaced.

Always use saw blade guard, riving knife and anti-kickback device for every through-cutting operation. For through-cutting operations where the saw blade cuts completely through the thickness of the workpiece, the guard and other safety devices help reduce the risk of injury.

Immediately reattach the guarding system after completing an operation (such as rabbeting, dadoing or resawing cuts) which requires removal of the guard, riving knife and/or anti-kickback device. The guard, riving knife, and anti-kickback device help to reduce the risk of injury.

Make sure the saw blade is not contacting the guard, riving knife or the workpiece before the switch is turned on. Inadvertent contact of these items with the saw blade could cause a hazardous condition.

Adjust the riving knife as described in this instruction manual. Incorrect spacing, positioning and alignment can make the riving knife ineffective in reducing the likelihood of kickback.

For the riving knife and anti-kickback device to work, they must be engaged in the workpiece. The riving knife and anti-kickback device are ineffective when cutting workpieces that are too short to be engaged with the riving knife and anti-kickback device. Under these conditions a kickback cannot be prevented by the riving knife and antikickback device.

Use the appropriate saw blade for the riving knife. For the riving knife to function properly, the saw blade diameter must match the appropriate riving knife and the body of the saw blade must be thinner than the thickness of the riving knife and the cutting width of the saw blade must be wider than the thickness of the riving knife.

#### Cutting Procedures Warnings

**⚠ DANGER!** Never place your fingers or hands in the vicinity or in line with the saw blade. A moment of inattention or a slip could direct your hand towards the saw blade and result in serious personal injury.

Feed the workpiece into the saw blade or cutter only against the direction of rotation. Feeding the workpiece in the same direction that the saw blade is rotating above the table may result in the workpiece, and your hand, being pulled into the saw blade.

Never use the mitre gauge to feed the workpiece when ripping and do not use the rip fence as a length stop when cross cutting with the mitre gauge. Guiding the workpiece with the rip fence and the mitre gauge at the same time increases the likelihood of saw blade binding and kickback.

When ripping, always apply the workpiece feeding force between the fence and the saw blade. Use a push stick when the distance between the fence and the saw blade is less than 150 mm, and use a push block when this distance is less than 50 mm. "Work helping" devices will keep your hand at a safe distance from the saw blade.

Use only the push stick provided by the manufacturer or constructed in accordance with the instructions. This push stick provides sufficient distance of the hand from the saw blade.

Never use a damaged or cut push stick. A damaged push stick may break causing your hand to slip into the saw blade.

Do not perform any operation "freehand". Always use either the rip fence or the mitre gauge to position and guide the workpiece. "Freehand" means using your hands to support or guide the workpiece, in lieu of a rip fence or mitre gauge. Freehand sawing leads to misalignment, binding and kickback.

Never reach around or over a rotating saw blade. Reaching for a workpiece may lead to accidental contact with the moving saw blade.

Provide auxiliary workpiece support to the rear and/or sides of the saw table for long and/or wide workpieces to keep them level. A long and/or wide workpiece has a tendency to pivot on the table's edge, causing loss of control, saw blade binding and kickback.

Feed workpiece at an even pace. Do not bend or twist the workpiece. If jamming occurs, turn the tool off immediately, unplug the tool then clear the jam. Jamming the saw blade by the workpiece can cause kickback or stall the motor.

Do not remove pieces of cut-off material while the saw is running. The material may become trapped between the fence or inside the saw blade guard and the saw blade pulling your fingers into the saw blade. Turn the saw off and wait until the saw blade stops before removing material.

Use an auxiliary fence in contact with the table top when ripping workpieces less than 2 mm thick. A thin workpiece may wedge under the rip fence and create a kickback.

### **Kickback Causes and Related Warnings**

Kickback is a sudden reaction of the workpiece due to a pinched, jammed saw blade or misaligned line of cut in the workpiece with respect to the saw blade or when a part of the workpiece binds between the saw blade and the rip fence or other fixed object.

Most frequently during kickback, the workpiece is lifted from the table by the rear portion of the saw blade and is propelled towards the operator.

Kickback is the result of saw misuse and/or incorrect operating procedures or conditions and can be avoided by taking proper precautions as given below.

Never stand directly in line with the saw blade. Always position your body on the same side of the saw blade as the fence. Kickback may propel the workpiece at high velocity towards anyone standing in front and in line with the saw blade.

Never reach over or in back of the saw blade to pull or to support the workpiece. Accidental contact with the saw blade may occur or kickback may drag your fingers into the saw blade.

Never hold and press the workpiece that is being cut off against the rotating saw blade. Pressing the workpiece being cut off against the saw blade will create a binding condition and kickback.

Align the fence to be parallel with the saw blade. A misaligned fence will pinch the workpiece against the saw blade and create kickback.

Use a feather-board to guide the workpiece against the table and fence when making non-through cuts such as rabbeting, dadoing or resawing cuts. A feather-board helps to control the workpiece in the event of a kickback.

Use extra caution when making a cut into blind areas of assembled workpieces. The protruding saw blade may cut objects that can cause kickback.

Support large panels to minimize the risk of saw blade pinching and kickback. Large panels tend to sag under their own weight. Support(s) must be placed under all portions of the panel overhanging the table top.

Use extra caution when cutting a workpiece that is twisted, knotted, warped or does not have a straight edge to guide it with a mitre gauge or along the fence. A warped, knotted, or twisted workpiece is unstable and causes misalignment of the kerf with the saw blade, binding and kickback.

Never cut more than one workpiece, stacked vertically or horizontally. The saw blade could pick up one or more pieces and cause kickback.

When restarting the saw with the saw blade in the workpiece, center the saw blade in the kerf so that the saw teeth are not engaged in the material. If the saw blade binds, it may lift up the workpiece and cause kickback when the saw is restarted.

Keep saw blades clean, sharp, and with sufficient set. Never use warped saw blades or saw blades with cracked or broken teeth. Sharp and properly set saw blades minimize binding, stalling and kickback.

### **Table Saw Operating Procedure Warnings**

Turn off the table saw and disconnect the power cord when removing the table insert, changing the saw blade or making adjustments to the riving knife, anti-kickback device or saw blade guard, and when the machine is left unattended. Precautionary measures will avoid accidents.

Never leave the table saw running unattended. Turn it off and don't leave the tool until it comes to a complete stop. An unattended running saw is an uncontrolled hazard.

Locate the table saw in a well-lit and level area where you can maintain good footing and balance. It should be installed in an area that provides enough room to easily handle the size of your workpiece. Cramped, dark areas, and uneven slippery floors invite accidents.

Frequently clean and remove sawdust from under the saw table and/or the dust collection device. Accumulated sawdust is combustible and may self-ignite.

The table saw must be secured. A table saw that is not properly secured may move or tip over.

Remove tools, wood scraps, etc. from the table before the table saw is turned on. Distraction or a potential jam can be dangerous.

Always use saw blades with correct size and shape (diamond versus round) of arbor holes. Saw blades that do not match the mounting hardware of the saw will run off-center, causing loss of control.

Never use damaged or incorrect saw blade mounting means such as flanges, saw blade washers, bolts or nuts. These mounting means were specially designed for your saw, for safe operation and optimum performance.

Never stand on the table saw, do not use it as a stepping stool. Serious injury could occur if the tool is tipped or if the cutting tool is accidentally contacted.

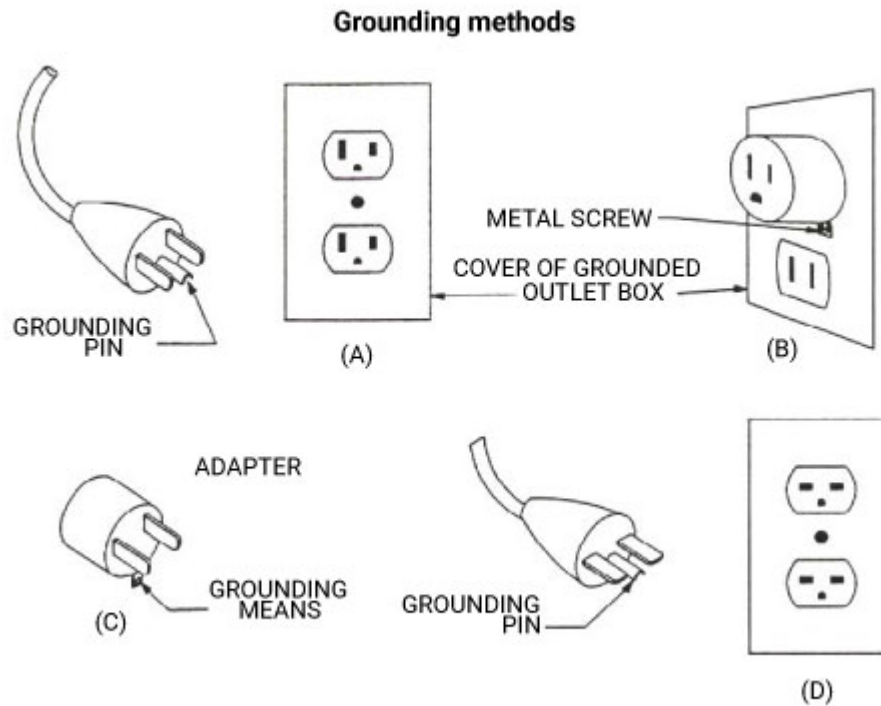
Make sure that the saw blade is installed to rotate in the proper direction. Do not use grinding wheels, wire brushes, or abrasive wheels on a table saw. Improper saw blade installation or use of accessories not recommended may cause serious injury.



**Grounding Instructions**

| Table A       |               |       |                              |     |                 |     |
|---------------|---------------|-------|------------------------------|-----|-----------------|-----|
| Ampere Rating |               | Volts | Total length of cord in feet |     |                 |     |
|               |               | 120   | 25                           | 50  | 100             | 150 |
|               |               | 240   | 50                           | 100 | 200             | 300 |
| More Than     | Not More Than |       | Minimum gage for cord        |     |                 |     |
| 0             | 6             |       | 18                           | 16  | 16              | 14  |
| 6             | 10            |       | 18                           | 16  | 14              | 12  |
| 10            | 12            |       | 16                           | 16  | 14              | 12  |
| 12            | 16            |       | 14                           | 12  | Not Recommended |     |

Grounding Methods Provided by CSA Group. (A) Receptacle with nominal rating less than 150 volts. (B) 150 volt receptacle without grounding pin fitted with adapter. (C) Grounding receptacle adapter. (D) Receptacle with nominal rating between 150 - 250 volts.



**All grounded, cord-connected tools:**

In the event of a malfunction or breakdown, grounding provides a path of least resistance for electric current to reduce the risk of electric shock. This tool is equipped with an electric cord having an equipment-grounding conductor and a grounding plug. The plug must be plugged into a matching outlet that is properly installed and grounded in accordance with all local codes and ordinances.

Do not modify the plug provided; if it will not fit the outlet, have the proper outlet installed by a qualified electrician.

Improper connection of the equipment-grounding conductor can result in a risk of electric shock. The conductor with insulation having an outer surface that is green with or without yellow stripes is the

equipment-grounding conductor. If repair or replacement of the electric cord or plug is necessary, do not connect the equipment-grounding conductor to a live terminal.

Check with a qualified electrician or service personnel if the grounding instructions are not completely understood, or if in doubt as to whether the tool is properly grounded.

Use only 3-wire extension cords that have 3-prong grounding plugs and 3 pole receptacles that accept the tool's plug.

Repair or replace damaged or worn cord immediately.

Grounded, cord-connected tools intended for use on a supply circuit having a nominal rating less than 150 volts:

This tool is intended for use on a circuit that has an outlet that looks like the one illustrated in Sketch A in Fig. 1. The tool has a grounding plug that looks like the plug illustrated in Sketch A in Fig. 1. A temporary adapter, which looks like the adapter illustrated in Sketch B and C, may be used to connect this plug to a 2 pole receptacle as shown in Sketch B if a properly grounded outlet is not available. The temporary adapter should be used only until a properly grounded outlet can be installed by a qualified electrician. **This adapter is not permitted in Canada.** The green-colored rigid ear, lug, and the like, extending from the adapter must be connected to a permanent ground such as a properly grounded outlet box.

Grounded, cord-connected tools intended for use on a supply circuit having a nominal rating between 150 – 250 volts, inclusive:

This tool is intended for use on a circuit that has an outlet that looks like the one illustrated in Sketch D. The tool has a grounding plug that looks like the plug illustrated in Sketch D. Make sure the tool is connected to an outlet having the same configuration as the plug. No adapter is available or should be used with this tool. If the tool must be reconnected for use on a different type of electric circuit, the reconnection should be made by qualified service personnel; and after reconnection, the tool should comply with all local codes and ordinances.

### **Proposition 65 Warning of Harmful Exposure**

Some dust created by power sanding, sawing, grinding, drilling and other construction activities contains chemicals known to cause cancer, birth defects or other reproductive harm. Some examples of these chemicals are:

Lead from lead-based paint.

Crystalline silica from bricks, cement, and other masonry products.

Arsenic and chromium from chemically treated lumber.

Your risk of exposure varies, depending on how often you do this type of work. To reduce your exposure to these chemicals, work in a well-ventilated area and work with approved safety equipment, such as face or dust masks that are specifically designed to filter out microscopic particles.

---

## **French**

### **AVERTISSEMENT!**

Pour votre propre sécurité, lisez le manuel d'instructions avant d'utiliser la scie à table.

(a) DANGER - Ne placez jamais vos mains à proximité ou en ligne avec la lame de scie.

(b) AVERTISSEMENT - "Porter une protection oculaire" ou le signe M004 de la norme ISO 7010.

(c) AVERTISSEMENT - Toujours utiliser un protecteur de lame de scie, un couteau diviseur et un dispositif anti-retour pour chaque opération pour laquelle il peut être utilisé, y compris tout au long du sciage.

- (d) AVERTISSEMENT - Utiliser un bâton-poussoir ou un bloc-poussoir au besoin.
- (e) AVERTISSEMENT - N'effectuez aucune opération à main levée.
- (f) AVERTISSEMENT - Porter une attention particulière aux instructions sur la réduction du risque de rebond. (ou "Savoir comment réduire les risques de pots-de-vin.")
- (g) AVERTISSEMENT - Ne jamais tendre la main autour ou au-dessus de la lame de scie. (ou "Ne jamais tendre la main à l'arrière ou au-dessus de la lame de scie").
- (H) AVERTISSEMENT - Éteindre l'outil et attendre que la lame de scie s'arrête avant de déplacer la pièce ou de changer les réglages.
- (I) AVERTISSEMENT - Ne jamais se tenir directement en ligne avec la lame de scie. Placez toujours votre corps du même côté de la lame de scie que la clôture.

De plus, utilisez une protection auditive et portez des gants pour manipuler les lames de scie.

### **Avertissements relatifs à la protection**

Laisser les protecteurs en place. Les protecteurs doivent être en état de fonctionnement et montés correctement. Un protecteur mal fixé, endommagé ou ne fonctionnant pas correctement doit être réparé ou remplacé.

Toujours utiliser un protecteur de lames, un couteau diviseur et un appareil antirecul pour toute opération de coupe traversante. Pour les opérations de coupe traversante où la lame traverse complètement l'épaisseur de la pièce, le protecteur et les autres appareils de sécurité contribuent à limiter le risque de blessure.

Fixer de nouveau immédiatement le protecteur après l'exécution d'une opération (telle que le refeuillement, l'engravure ou la refente) qui nécessite l'enlèvement du protecteur, du couteau diviseur et/ou de l'appareil anti-recul. Le protecteur, le couteau diviseur et l'appareil anti-recul contribuent à limiter le risque de blessure.

Veiller à ce que la lame n'entre pas en contact avec le protecteur, le couteau diviseur ou la pièce avant le déclenchement du commutateur. Un contact involontaire de ces éléments avec la lame pourrait entraîner un fonctionnement dangereux.

Ajuster le couteau diviseur comme décrit dans la notice d'utilisation. Un espacement, un positionnement et un alignement incorrects peuvent empêcher le couteau diviseur de limiter le risque de recul.

Pour que le couteau diviseur et l'appareil anti-recul fonctionnent, ils doivent être engagés dans la pièce. Le couteau diviseur et l'appareil anti-recul sont inefficaces lorsque l'on coupe des pièces trop courtes pour que le couteau diviseur et l'appareil antirecul puissent s'y engager. Dans ces conditions, le couteau diviseur et l'appareil anti-recul ne peuvent pas empêcher un recul de se produire.

Utiliser la lame appropriée au couteau diviseur. Pour que le couteau diviseur fonctionne correctement, le diamètre de la lame doit correspondre au couteau diviseur approprié, l'épaisseur de la lame de scie doit être plus mince que celle du couteau diviseur et la largeur de coupe de la lame de scie doit être supérieure à l'épaisseur du couteau diviseur.

### **Avertissements relatifs aux modes opératoires de coupe**

**DANGER:** Ne jamais mettre les doigts ou les mains à proximité ou dans l'alignement de la lame. Votre main pourrait glisser ou se diriger vers la lame dans un moment d'inattention et entraîner une blessure grave.

Avancer la pièce en direction de la lame ou du couteau uniquement dans le sens inverse de rotation. L'avance de la pièce dans le même sens que le sens de rotation de la lame au-dessus de la table peut entraîner la pièce et la main dans la lame.

Ne jamais utiliser le guide inclinable pour avancer la pièce lors d'un sciage en long et ne pas utiliser le guide longitudinal comme butée longitudinale lors d'un sciage en travers à l'aide du guide inclinable. Le guidage

de la pièce en utilisant en même temps le guide longitudinal et le guide inclinable augmente le risque de blocage de la lame et de recul.

Lors d'un sciage en long, toujours appliquer la force d'alimentation de la pièce entre le guide et la lame. Utiliser un poussoir lorsque la distance entre le guide et la lame est inférieure à 150 mm et utiliser un bloc-poussoir lorsque cette distance est inférieure à 50 mm. Des appareils d'aide à l'utilisation maintiendront la main à une distance sans risque de la lame.

Utiliser seulement le poussoir fourni par le fabricant ou construit conformément aux instructions. Ce poussoir permet de garder une distance suffisante entre la main et la lame.

Ne jamais utiliser un poussoir endommagé ou coupé. Un poussoir endommagé peut faire glisser votre main dans la lame.

Ne jamais effectuer une opération "à main levée". Toujours utiliser le guide longitudinal ou le guide inclinable pour positionner et guider la pièce. "A main levée" signifie utiliser ses mains pour soutenir ou guider la pièce, au lieu d'un guide longitudinal ou inclinable. Une coupe à main levée entraîne un mauvais alignement, un blocage et un recul.

Ne jamais tendre le bras autour ou au-dessus de la lame rotative. Le fait d'étendre le bras pour atteindre une pièce peut entraîner un contact accidentel avec la lame rotative.

Prévoir un support supplémentaire de la pièce à l'arrière et/ou sur les côtés de la scie circulaire pour des pièces longues et/ou larges afin de les maintenir à plat. Une pièce longue et/ou large a tendance à pivoter sur le bord de la table, entraînant une perte de contrôle, un blocage de la lame et un recul.

Avancer la pièce à un rythme régulier. Ne pas plier ou tordre la pièce. En cas de coincement de la lame, arrêter l'outil immédiatement, le débrancher et décoincer la lame. Un coincement de la lame par la pièce peut provoquer un recul ou faire caler le moteur.

Ne pas enlever des morceaux de matériau coupé lors du fonctionnement de la lame. Le matériau peut être emprisonné entre le guide ou à l'intérieur du protecteur de lame et la lame, entraînant vos doigts dans la lame. Stopper le fonctionnement de la scie et attendre l'arrêt de la scie avant de retirer le matériau.

Utiliser un guide auxiliaire en contact avec le plateau de la table lors d'un sciage en long de pièces d'épaisseur inférieure à 2 mm. Une pièce mince peut se coincer sous le guide longitudinal et provoquer un recul.

### **Causes de recul et avertissements associés**

Le recul est une réaction soudaine de la pièce due à une lame pincée, bloquée ou une ligne de coupe mal alignée dans la pièce par rapport à la position de la lame ou lorsqu'une partie de la pièce se bloque entre la lame et le guide longitudinal ou un autre objet fixe.

Le plus souvent lors d'un recul, la pièce est soulevée de la table par la partie arrière de la lame et est projetée en direction de l'opérateur.

Le recul résulte d'une mauvaise utilisation de la scie et/ou de modes opératoires ou de conditions de fonctionnement incorrects et peut être évité en prenant les précautions nécessaires telles qu'indiquées ci-dessous.

Ne jamais se tenir dans l'alignement direct de la lame. Toujours se tenir du même côté de la lame que le guide. Un recul peut propulser la pièce à une vitesse rapide vers quiconque se trouvant devant et dans l'alignement de la lame.

Ne jamais tendre le bras au-dessus ou à l'arrière de la lame pour retirer ou soutenir la pièce. Un contact accidentel avec la lame peut se produire ou un recul peut entraîner vos doigts dans la lame.

Ne jamais maintenir et presser la pièce contre la lame rotative. Presser la pièce contre la lame rotative provoquera un blocage de la lame et un recul.

Aligner le guide parallèlement à la lame. Un mauvais alignement du guide entraînera un pincement de la pièce contre la lame et un recul.

Utiliser un peigne anti-recul pour guider la pièce contre la table et le guide lors des coupes non traversantes tels que le refeuillement, l'engravure ou la refente. Un peigne anti-recul aide à contrôler la pièce en cas de recul.

User de précautions supplémentaires lors d'une coupe dans des zones non visibles de pièces assemblées. La partie de lame qui dépasse peut couper des objets qui peuvent provoquer un recul.

Soutenir les grands panneaux pour limiter le risque d'un blocage de la lame et d'un recul. Les grands panneaux ont tendance à s'affaisser sous leur propre poids. Un (des) support(s) doit (vent) être placé(s) sous toutes les portions du panneau par-dessus la table.

User de précautions supplémentaires lors de la coupe d'une pièce torsadée, gauchie ou comportant des noeuds, qui n'a pas un bord droit pour le guider à l'aide d'un guide inclinable ou le long du guide. Une pièce torsadée, gauchie ou comportant des noeuds est instable et provoquer un mauvais alignement du trait de scie avec la lame, un blocage de la lame et un recul.

Ne jamais couper plusieurs pièces empilées verticalement ou horizontalement. La lame pourrait attraper plusieurs pièces et provoquer un recul.

Lors d'un redémarrage d'une scie avec une lame de scie dans la pièce, centrer la lame dans le trait de scie de sorte que les dents ne pénètrent pas dans le matériau. Si la lame se bloque, elle peut soulever la pièce et provoquer un recul lors du redémarrage de la scie.

Maintenir les lames propres, bien aiguisées et avec un écart latéral suffisant. Ne jamais utiliser des lames gauchies ou des lames dont les dents sont fissurées ou cassées. Des lames bien aiguisées et ayant un bon écart latéral limitent le risque de blocage, de calage et de recul.

#### **Avvertissements relatifs au mode opératoire de fonctionnement de la scie circulaire à table**

Arrêter le fonctionnement de la scie circulaire et débrancher le cordon d'alimentation lors de l'enlèvement de la plaque amovible, du remplacement de la lame de scie ou des réglages du couteau diviseur, de l'appareil anti-recul ou du protecteur de lame, et lorsque la machine est laissée sans surveillance. Ces mesures de précaution éviteront les accidents.

Ne jamais laisser la scie circulaire à table fonctionner sans surveillance. Arrêter le fonctionnement et ne pas quitter l'outil tant qu'il n'a pas cessé de fonctionner. Une scie fonctionnant sans surveillance est un danger incontrôlé.

Placer la scie circulaire à table dans un endroit bien éclairé et sur une surface plane où elle peut être maintenue bien en appui et en équilibre. Il convient de l'installer dans un endroit qui prévoit une place suffisante pour pouvoir manipuler facilement la pièce quelle que soit sa taille. Des endroits exigus, sombres et des sols inégaux et glissants sont susceptibles de provoquer des accidents.

Nettoyer fréquemment et enlever la sciure accumulée sous la scie circulaire à table et/ou sous l'appareil de dépoussiérage. La sciure accumulée est combustible et peut s'enflammer.

La scie circulaire à table doit être immobilisée. Une scie circulaire à table mal immobilisée peut bouger ou basculer.

Enlever les outils, copeaux de bois, etc. de la table avant de faire fonctionner la scie. Un moment d'inattention ou un coincement éventuel peut être dangereux.

Toujours utiliser des lames de scie de dimensions et de forme appropriées des alésages centraux (lame de scie au diamant contre lame de scie ronde). Des lames qui ne sont pas conformes aux matériels de montage de la scie seront excentrées, provoquant une perte de contrôle.

Ne jamais utiliser des appareils de montage, tels que des flasques, des rondelles de lame, des boulons ou écrous, endommagés ou inadaptés. Ces appareils de montage ont été spécialement conçus pour être utilisés avec votre scie, à des fins de fonctionnement sûr et de performance optimale.

Ne jamais se tenir sur la scie circulaire à table, ne pas l'utiliser comme tabouret. Des blessures sérieuses peuvent survenir si l'outil bascule ou en cas de contact accidentel avec l'outil de coupe.

Veiller à ce que la scie circulaire à table soit installée de façon à tourner dans la bonne direction. Ne pas utiliser des meules, des brosses métalliques ou des disques abrasifs sur une scie circulaire à table. Une installation incorrecte de la lame ou l'utilisation d'accessoires non recommandés peut entraîner de graves blessures.

## Specifications

### Fusion F3 Table Saw (MTSF3362203-0130)



#### Condensed Specs

|  |                                       |
|--|---------------------------------------|
| Maximum Blade Diameter .....   | 10 in. (254 mm)                       |
| Max Rip Right of Blade w/Included Fence & Rails .....                | 37 in. (940 mm)                       |
| Fence Type.....  | Camlock T-Shape w/European Hi-Lo Face |
| Table.....   | Precision-Ground Cast Iron            |
| Wings.....   | Precision-Ground Cast Iron            |
| Cabinet .....  | 14 Ga. Steel                          |
| Trunnions .....  | Cast Iron                             |
| Dust Port Size .....   | 4 in. (101.6 mm)                      |
| Blade Guard Dust Port Size .....                                     | 1.5 in. (38.1 mm)                     |
| Weight, Gross.....   | 482 lbs. (219 Kg)                     |
| Weight, Net.....   | 385 lbs. (175 Kg)                     |
| Overall Width (side-to-side) .....                                   | 68.93 in. (1751 mm)                   |
| Overall Depth (front-to-back).....                                   | 56.1 in. (1425 mm)                    |
| Overall Height .....   | 42.91 in. (1090 mm)                   |
| Power Requirement.....   | 220V, Single-Phase, 60 Hz             |
| Horsepower .....   | 3HP                                   |
| Country of Origin .....  | Taiwan                                |
| Certified by a Nationally Recognized Testing Laboratory (NRTL) ..... | Yes                                   |

#### F3 Features

- Industrial 14 Gauge (2mm) Cabinet
- Accessory Tables (Outfeed & Rip)
- Industrial Fence Rail
- Industrial Fusion Fence
- Premium Electrical & Hardware Components
- Premium Miter Gauge
- Cast Iron Fusion Trunnions
- Cabinet Mounted Arbor
- Cast Iron Table & Wings

European Hi-Lo Fence  
 Premium Zero Clearance Throat Plate  
 Fusion Hi-Lo Dust Collection  
 Magnetic Contactor Switch  
 Quick-Release Blade Guard and Spreader  
 Riving Knife Included  
 Push Stick included  
 Miter Gauge Included  
 Blade Changing Tool Included  
 Integrated Tool Storage  
 Included 10 x 60T Carbide-Tipped Blade  
 Premium Arbor and Motor Bearings

### Main Information

|   |                     |
|---|---------------------|
| Table Saw Type .....                                  | Cabinet             |
| Maximum Blade Diameter .....                          | 10 in. (254 mm)     |
| Arbor Size.....                                       | 0.62 in. (15.87 mm) |
| Arbor Speed .....                                     | 4500 RPM            |
| Maximum Width of Dado .....                           | 0.75 in. (19.05 mm) |
| Blade Tilt Direction .....                            | Left                |
| Max Blade Tilt.....                                   | 45 Degrees          |
| Maximum Depth of Cut At 90 Degrees .....              | 3.12 in. (79.37 mm) |
| Maximum Depth of Cut At 45 Degrees .....              | 2.12 in. (53.97 mm) |
| Max Rip Right of Blade w/Included Fence & Rails ..... | 37 in. (940 mm)     |
| Max Rip Left of Blade w/Included Fence & Rails .....  | 19.68 in. (500 mm)  |

### Additional Blade Information

|                                       |                    |
|---------------------------------------|--------------------|
| Included Blade Information .....      | 10" x 60T          |
| Riving Knife/Spreader Thickness ..... | 0.09 in. (2.28 mm) |
| Required Blade Body Thickness.....    | >3.0mm             |
| Required Blade Kerf Thickness .....   | <2.0mm             |

### Table Information

|   |                     |
|---|---------------------|
| Floor to Table Height .....                           | 34.9 in. (886.5 mm) |
| Table Size with Extension Wings Width.....            | 60.9 in. (1547 mm)  |
| Table Size with Extension Wings Depth .....           | 26.9 in. (683.5 mm) |
| Distance Front of Table to Center of Blade .....      | 13.46 in. (342 mm)  |
| Distance Front of Table to Blade At Maximum Cut ..... | 8.66 in. (220 mm)   |
| Main Table Size Thickness .....                       | 1.49 in. (38 mm)    |

### Fence Information

|                         |                                       |
|-------------------------|---------------------------------------|
| Fence Type.....         | Camlock T-Shape w/European Hi-Lo Face |
| Fence Size Length ..... | 33.46 in. (850 mm)                    |
| Fence Size Width .....  | 15.94 in. (405 mm)                    |
| Fence Size Height.....  | 3.03 in. (77 mm)                      |
| Fence Rail Type .....   | Steel/Angle Steel                     |
| Fence Rail Length.....  | 67.87 in. (1724 mm)                   |
| Fence Rail Width.....   | 3 in. (76.2 mm)                       |
| Fence Rail Height ..... | 2 in. (50.8 mm)                       |



|                                   |                   |
|-----------------------------------|-------------------|
| Miter Gauge Information.....      |                   |
| Miter Gauge Slot Type.....        | T-Slot            |
| Miter Gauge Slot Size Width.....  | 0.74 in. (19 mm)  |
| Miter Gauge Slot Size Height..... | 0.38 in. (9.8 mm) |

### Construction

|                                     |                                     |
|-------------------------------------|-------------------------------------|
| Table.....                          | Precision-Ground Cast Iron          |
| Wings.....                          | Precision-Ground Cast Iron          |
| Cabinet.....                        | 14 Ga. Steel                        |
| Trunnions.....                      | Cast Iron                           |
| Body Assembly.....                  | 14 Ga. Steel                        |
| Fence Assembly.....                 | Steel Body                          |
| Rails.....                          | Industrial Steel                    |
| Miter Gauge Construction.....       | Cast Iron with Steel Bar, Alu Fence |
| Guard.....                          | Steel and Clear Plastic             |
| Body/Cabinet Paint Type/Finish..... | Powder Coated                       |
| Arbor Bearings.....                 | Sealed & Permanently Lubricated     |

### Other Related Information

|                                      |                   |
|--------------------------------------|-------------------|
| Number of Dust Ports.....            | 1.00              |
| Dust Port Size.....                  | 4 in. (101.6 mm)  |
| Compatible Mobile Base.....          | Integrated        |
| Blade Guard Dust Port Size.....      | 1.5 in. (38.1 mm) |
| Dust Collection CFM Requirement..... | 400.00            |
| Dust Collection Static Pressure..... | 5" H2O            |

### Product Dimensions

|  |                     |
|--|---------------------|
| Weight, Gross.....   | 482 lbs. (219 Kg)   |
| Weight, Net.....   | 385 lbs. (175 Kg)   |
| Overall Width (side-to-side).....                                    | 68.93 in. (1751 mm) |
| Overall Depth (front-to-back).....                                   | 56.1 in. (1425 mm)  |
| Overall Height.....  | 42.91 in. (1090 mm) |
| Footprint Width.....   | 20.47 in. (520 mm)  |
| Footprint Length.....  | 42.51 in. (1080 mm) |
| Space Required for Full Range of Movement Width (side-to-side).....  | 68.93 in. (1751 mm) |
| Space Required for Full Range of Movement Depth (front-to-back)..... | 56.1 in. (1425 mm)  |

### Shipping Dimensions

|                        |                     |
|------------------------|---------------------|
| Carton Number.....     | 1.00                |
| Carton Type.....       | Wood Crate          |
| Content.....           | Everything          |
| Weight, Gross.....     | 482 lbs. (219 Kg)   |
| Length.....            | 57.08 in. (1450 mm) |
| Width.....             | 29.92 in. (760 mm)  |
| Height.....            | 42.71 in. (1085 mm) |
| Must Ship Upright..... | YES                 |

### ELECTRICAL

|                               |   |
|-------------------------------|---|
| Power Requirement.....        | 220V, Single-Phase, 60 Hz   |
| Prewired Voltage.....         | 220V  |
| Full-Load Current Rating..... | 15A   |
| Minimum Circuit Size.....     | 25A   |
| Connection Type.....          | Cord & Plug   |
| Power Cord Included.....      | Yes   |
| Power Cord Length.....        | 6 ft.   |
| Power Cord Gauge.....         | 14 AWG  |
| Plug Included.....            | Yes   |
| Included Plug Type.....       | 6-15  |
| Switch Type.....              | ON/OFF Push Button Switch w/Large Shut-Off<br>Paddle & Padlock, Additional Magnetic Contactor in line |

**MOTOR**

|                     |                                 |
|---------------------|---------------------------------|
| Use.....            | Main                            |
| Horsepower.....     | 3HP                             |
| Phase.....          | Single-Phase                    |
| Amps.....           | 15A (220V)                      |
| Speed.....          | 3450 RPM                        |
| Type.....           | TEFC Capacitor-Start Induction  |
| Power Transfer..... | Poly-V Belt Drive               |
| Bearings.....       | Sealed & Permanently Lubricated |

**OTHER SPECIFICATIONS.....**

|   |                              |
|---|------------------------------|
| Country of Origin.....  | Taiwan                       |
| Warranty.....   | 1 Year                       |
| Approximate Assembly & Setup Time.....                              | 1 Hour                       |
| Serial Number Location.....   | ID Label on Front of Cabinet |
| Sound Rating.....   | 60-78 DBa                    |
| ISO 9001 Factory.....   | Yes                          |
| Certified by a Nationally Recognized Testing Laboratory (NRTL)..... | Yes                          |

## Fusion F3 Table Saw 52 (MTSF3362203-0130-52)

**Condensed Specs**

|  |                                       |
|--|---------------------------------------|
| Maximum Blade Diameter .....   | 10 in. (254 mm)                       |
| Max Rip Right of Blade w/Included Fence & Rails .....                | 53 in. (1346.2 mm)                    |
| Fence Type.....  | Camlock T-Shape w/European Hi-Lo Face |
| Table.....   | Precision-Ground Cast Iron            |
| Wings.....   | Precision-Ground Cast Iron            |
| Cabinet .....  | 14 Ga. Steel                          |
| Trunnions .....  | Cast Iron                             |
| Dust Port Size .....   | 4 in. (101.6 mm)                      |
| Blade Guard Dust Port Size .....                                     | 1.5 in. (38.1 mm)                     |
| Weight, Gross.....   | 533.58 lbs. (242 Kg)                  |
| Weight, Net.....   | 405 lbs. (184 Kg)                     |
| Overall Width (side-to-side) .....                                   | 84.94 in. (2157.47 mm)                |
| Overall Depth (front-to-back).....                                   | 56.1 in. (1425 mm)                    |
| Overall Height .....   | 42.91 in. (1090 mm)                   |
| Power Requirement.....   | 220V, Single-Phase, 60 Hz             |
| Horsepower .....   | 3HP                                   |
| Country of Origin .....  | Taiwan                                |
| Certified by a Nationally Recognized Testing Laboratory (NRTL) ..... | Yes                                   |

**F3 52 Features**

52" Rip Capacity  
 Industrial 14 Gauge (2mm) Cabinet  
 Accessory Tables (Outfeed & Rip)  
 Industrial Fence Rail  
 Industrial Fusion Fence  
 Premium Electrical & Hardware Components  
 Premium Miter Gauge

Cast Iron Fusion Trunnions  
 Cabinet Mounted Arbor  
 Cast Iron Table & Wings  
 European Hi-Lo Fence  
 Premium Zero Clearance Throat Plate  
 Fusion Hi-Lo Dust Collection  
 Magnetic Contactor Switch  
 Quick-Release Blade Guard and Spreader  
 Riving Knife Included  
 Push Stick included  
 Miter Gauge Included  
 Blade Changing Tool Included  
 Integrated Tool Storage  
 Included 10 x 60T Carbide-Tipped Blade  
 Premium Arbor and Motor Bearings

### Main Information

|   |                     |
|---|---------------------|
| Table Saw Type .....                                  | Cabinet             |
| Maximum Blade Diameter .....                          | 10 in. (254 mm)     |
| Arbor Size.....                                       | 0.62 in. (15.87 mm) |
| Arbor Speed .....                                     | 4500 RPM            |
| Maximum Width of Dado .....                           | 0.75 in. (19.05 mm) |
| Blade Tilt Direction .....                            | Left                |
| Max Blade Tilt.....                                   | 45 Degrees          |
| Maximum Depth of Cut At 90 Degrees .....              | 3.12 in. (79.37 mm) |
| Maximum Depth of Cut At 45 Degrees .....              | 2.12 in. (53.97 mm) |
| Max Rip Right of Blade w/Included Fence & Rails ..... | 53 in. (1346.2 mm)  |
| Max Rip Left of Blade w/Included Fence & Rails .....  | 19.68 in. (500 mm)  |

### Additional Blade Information

|                                      |                    |
|--------------------------------------|--------------------|
| Included Blade Information .....     | 10" x 60T          |
| Riving Knife/Spreader Thickness..... | 0.09 in. (2.28 mm) |
| Required Blade Body Thickness.....   | >3.0mm             |
| Required Blade Kerf Thickness .....  | <2.0mm             |

### Table Information

|   |                         |
|---|-------------------------|
| Floor to Table Height .....                           | 34.9 in. (886.5 mm)     |
| Table Size with Extension Wings Width.....            | 76.91 in. (1953.514 mm) |
| Table Size with Extension Wings Depth .....           | 26.9 in. (683.5 mm)     |
| Distance Front of Table to Center of Blade .....      | 13.46 in. (342 mm)      |
| Distance Front of Table to Blade At Maximum Cut ..... | 8.66 in. (220 mm)       |
| Main Table Size Thickness.....                        | 1.49 in. (38 mm)        |

### Fence Information

|                         |                                       |
|-------------------------|---------------------------------------|
| Fence Type.....         | Camlock T-Shape w/European Hi-Lo Face |
| Fence Size Length ..... | 33.46 in. (850 mm)                    |
| Fence Size Width.....   | 15.94 in. (405 mm)                    |
| Fence Size Height.....  | 3.03 in. (77 mm)                      |
| Fence Rail Type .....   | Steel/Angle Steel                     |

|                        |                     |
|------------------------|---------------------|
| Fence Rail Length..... | 67.87 in. (1724 mm) |
| Fence Rail Width.....  | 3 in. (76.2 mm)     |
| Fence Rail Height..... | 2 in. (50.8 mm)     |

### Miter Gauge Information

|                                   |                   |
|-----------------------------------|-------------------|
| Miter Gauge Slot Type.....        | T-Slot            |
| Miter Gauge Slot Size Width.....  | 0.74 in. (19 mm)  |
| Miter Gauge Slot Size Height..... | 0.38 in. (9.8 mm) |

### Construction

|                                     |                                     |
|-------------------------------------|-------------------------------------|
| Table.....                          | Precision-Ground Cast Iron          |
| Wings.....                          | Precision-Ground Cast Iron          |
| Cabinet.....                        | 14 Ga. Steel                        |
| Trunnions.....                      | Cast Iron                           |
| Body Assembly.....                  | 14 Ga. Steel                        |
| Fence Assembly.....                 | Steel Body                          |
| Rails.....                          | Industrial Steel                    |
| Miter Gauge Construction.....       | Cast Iron with Steel Bar, Alu Fence |
| Guard.....                          | Steel and Clear Plastic             |
| Body/Cabinet Paint Type/Finish..... | Powder Coated                       |
| Arbor Bearings.....                 | Sealed & Permanently Lubricated     |

### Other Related Information

|                                      |                   |
|--------------------------------------|-------------------|
| Number of Dust Ports.....            | 1.00              |
| Dust Port Size.....                  | 4 in. (101.6 mm)  |
| Compatible Mobile Base.....          | Integrated        |
| Blade Guard Dust Port Size.....      | 1.5 in. (38.1 mm) |
| Dust Collection CFM Requirement..... | 400.00            |
| Dust Collection Static Pressure..... | 5" H2O            |

### Product Dimensions

|  |                        |
|--|------------------------|
| Weight, Gross.....   | 533.58 lbs. (242 Kg)   |
| Weight, Net.....   | 405 lbs. (184 Kg)      |
| Overall Width (side-to-side).....                                    | 84.94 in. (2157.47 mm) |
| Overall Depth (front-to-back).....                                   | 56.1 in. (1425 mm)     |
| Overall Height.....  | 42.91 in. (1090 mm)    |
| Footprint Width.....   | 48 in. (1219.2 mm)     |
| Footprint Length.....  | 42.51 in. (1080 mm)    |
| Space Required for Full Range of Movement Width (side-to-side).....  | 84.94 in. (2157.47 mm) |
| Space Required for Full Range of Movement Depth (front-to-back)..... | 56.1 in. (1425 mm)     |

### Shipping Dimensions

|                    |                     |
|--------------------|---------------------|
| Carton Number..... | 1.00                |
| Carton Type.....   | Wood Crate          |
| Content.....       | Tablesaw            |
| Weight, Gross..... | 482 lbs. (219 Kg)   |
| Length.....        | 51.18 in. (1300 mm) |
| Width.....         | 29.92 in. (760 mm)  |
| Height.....        | 42.71 in. (1085 mm) |

|                        |                      |
|------------------------|----------------------|
| Must Ship Upright..... | YES                  |
| Carton Number .....    | 2.00                 |
| Carton Type .....      | Wood Crate           |
| Content.....           | 52" Fence Rails      |
| Weight .....           | 51.58 lbs. (23.4 Kg) |
| Length .....           | 69.88 in. (1775 mm)  |
| Width .....            | 4.13 in. (105 mm)    |
| Height.....            | 3.93 in. (100 mm)    |
| Must Ship Upright..... | YES                  |

**ELECTRICAL**

|                                |   |
|--------------------------------|---|
| Power Requirement.....         | 220V, Single-Phase, 60 Hz   |
| Prewired Voltage .....         | 220V  |
| Full-Load Current Rating ..... | 15A   |
| Minimum Circuit Size .....     | 25A   |
| Connection Type .....          | Cord & Plug   |
| Power Cord Included.....       | Yes   |
| Power Cord Length.....         | 6 ft.   |
| Power Cord Gauge .....         | 14 AWG  |
| Plug Included .....            | Yes   |
| Included Plug Type.....        | 6-15  |
| Switch Type .....              | ON/OFF Push Button Switch w/Large Shut-Off<br>Paddle & Padlock, Additional Magnetic Contactor in line |

**MOTOR**

|                     |                                 |
|---------------------|---------------------------------|
| Use.....            | Main                            |
| Horsepower .....    | 3HP                             |
| Phase .....         | Single-Phase                    |
| Amps .....          | 15A (220V)                      |
| Speed .....         | 3450 RPM                        |
| Type.....           | TEFC Capacitor-Start Induction  |
| Power Transfer..... | Poly-V Belt Drive               |
| Bearings .....      | Sealed & Permanently Lubricated |

**OTHER SPECIFICATIONS**

|  |                              |
|--|------------------------------|
| Country of Origin .....  | Taiwan                       |
| Warranty.....  | 1 Year                       |
| Approximate Assembly & Setup Time .....                        | 1 Hour                       |
| Serial Number Location .....                                   | ID Label on Front of Cabinet |
| Sound Rating .....   | 60-78 DBa                    |
| ISO 9001 Factory.....  | Yes                          |
| Certified by a Nationally Recognized Testing Laboratory (NRTL) | Yes                          |

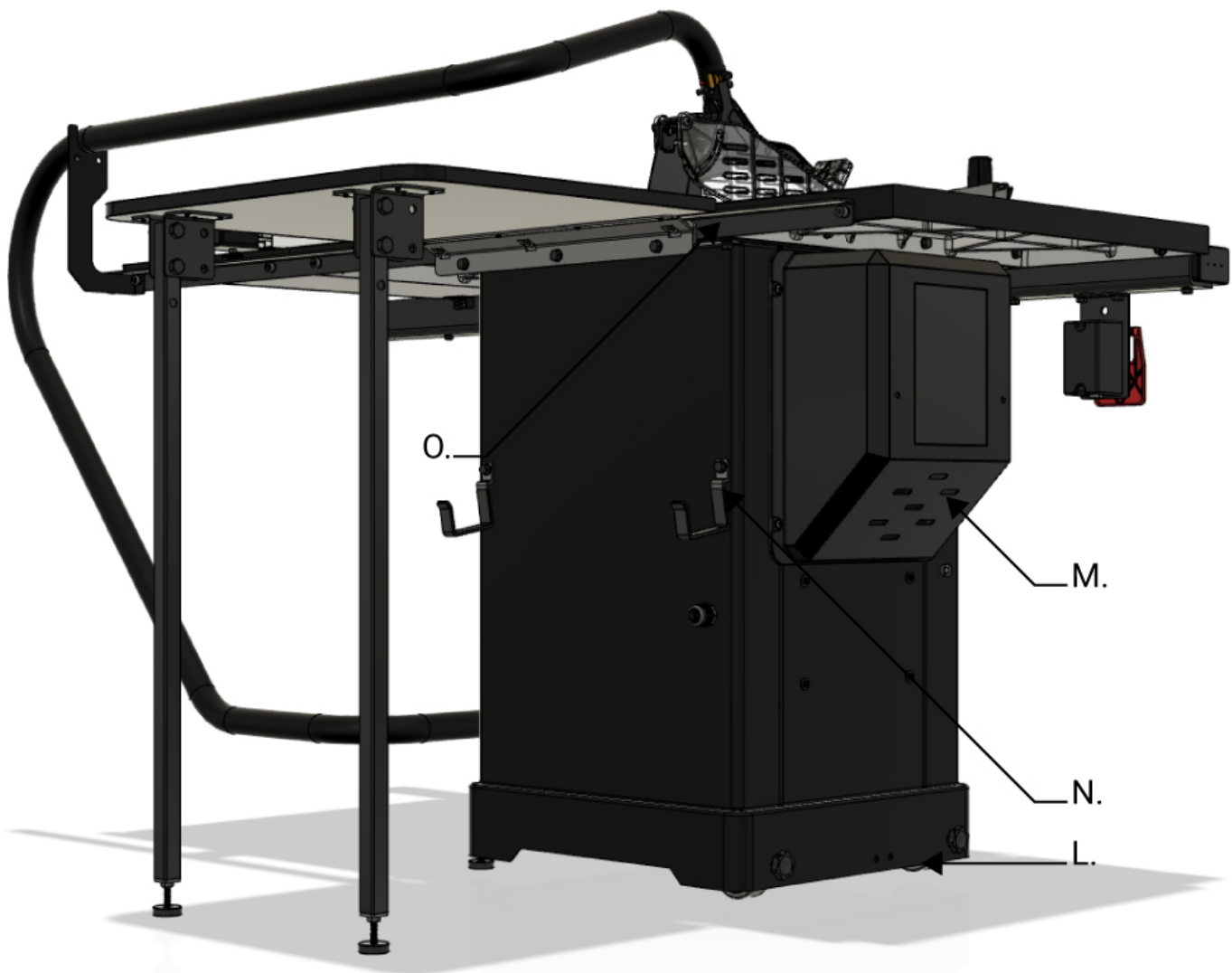
**Setup**

**Fusion F1 Table Saw (MTSF132110150-0130)**

- |                               |                                |                               |                             |
|-------------------------------|--------------------------------|-------------------------------|-----------------------------|
| <b>A. Motor Reset</b>         | <b>B. ON</b>                   | <b>C. OFF</b>                 | <b>D. Arbor Tilt Wheel</b>  |
| <b>E. Blade Guard Storage</b> | <b>F. Riving Knife Storage</b> | <b>G. Miter Gauge Storage</b> | <b>H. Blade Change Tool</b> |
| <b>I. Arbor Height Wheel</b>  | <b>J. Arbor Tilt Gauge</b>     | <b>K. 4" Dust Outlet</b>      | <b>L. Mobility Wheels</b>   |
| <b>M. Motor Cover</b>         | <b>N. Rip Fence Storage</b>    | <b>O. Rear Fence Rail</b>     | <b>P. Wing</b>              |
| <b>Q. Table</b>               | <b>R. Miter Gauge</b>          | <b>S. Blade Guard</b>         | <b>T. Throat Plate</b>      |
| <b>U. Miter Slot</b>          | <b>V. Rip Fence</b>            | <b>W. Push Stick</b>          | <b>X. Front Fence Rail</b>  |
| <b>Y. Fence Lock</b>          | <b>Z. Rip Fence Scale</b>      |                               |                             |

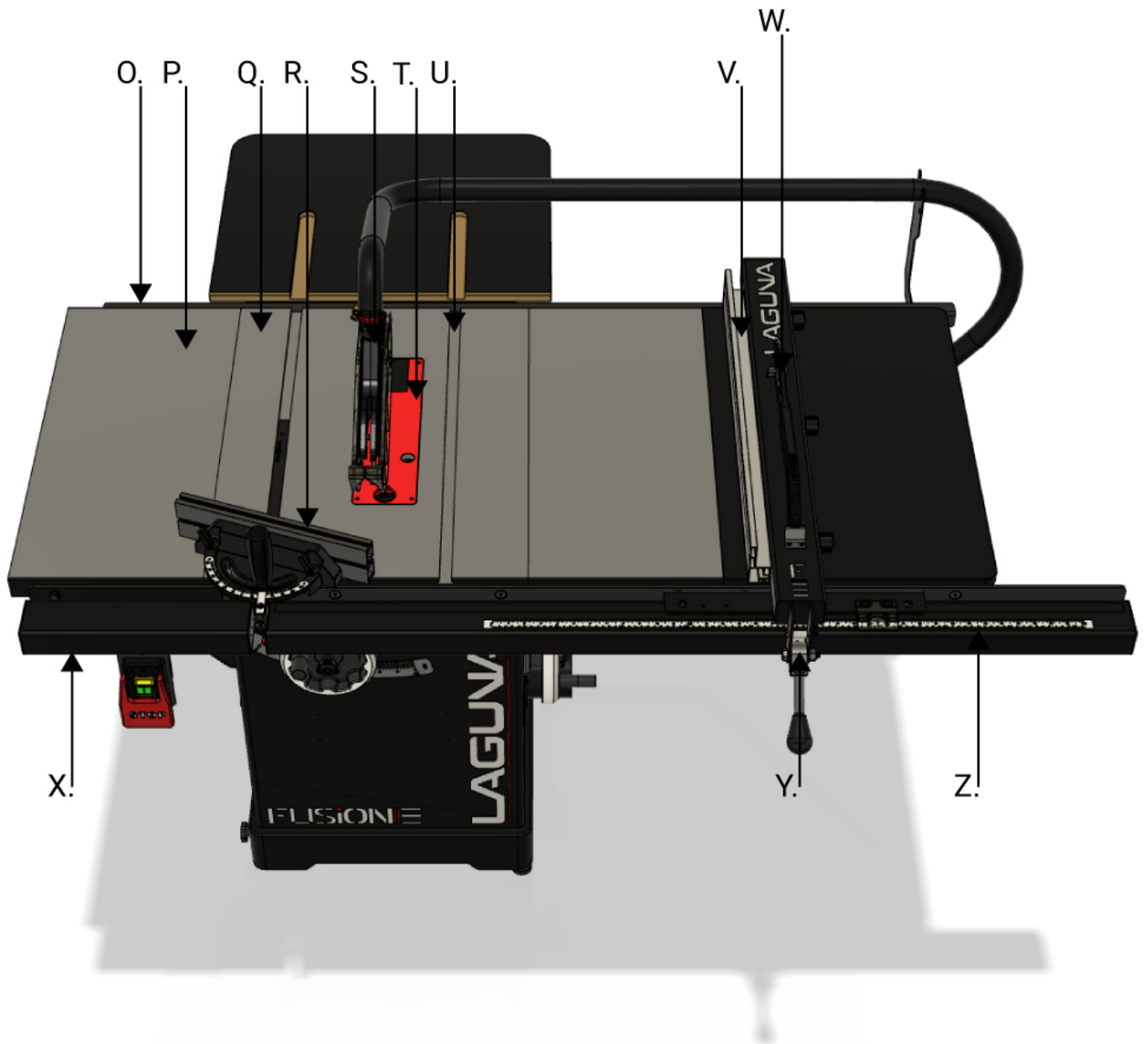


- |                        |                             |                           |                           |
|------------------------|-----------------------------|---------------------------|---------------------------|
| A. Motor Reset         | B. ON                       | C. OFF                    | D. Arbor Tilt Wheel       |
| E. Blade Guard Storage | F. Riving Knife Storage     | G. Miter Gauge Storage    | H. Blade Change Tool      |
| I. Arbor Height Wheel  | J. Arbor Tilt Gauge         | <b>K. 4" Dust Outlet</b>  | <b>L. Mobility Wheels</b> |
| <b>M. Motor Cover</b>  | <b>N. Rip Fence Storage</b> | <b>O. Rear Fence Rail</b> | P. Wing                   |
| Q. Table               | R. Miter Gauge              | S. Blade Guard            | T. Throat Plate           |
| U. Miter Slot          | V. Rip Fence                | W. Push Stick             | X. Front Fence Rail       |
| Y. Fence Lock          | Z. Rip Fence Scale          |                           |                           |





- A. Motor Reset
- E. Blade Guard Storage
- I. Arbor Height Wheel
- M. Motor Cover
- Q. Table**
- U. Miter Slot**
- Y. Fence Lock**
- B. ON
- F. Riving Knife Storage
- J. Arbor Tilt Gauge
- N. Rip Fence Storage
- R. Miter Gauge**
- V. Rip Fence**
- Z. Rip Fence Scale**
- C. OFF
- G. Miter Gauge Storage
- K. 4" Dust Outlet
- O. Rear Fence Rail**
- S. Blade Guard**
- W. Push Stick**
- D. Arbor Tilt Wheel
- H. Blade Change Tool
- L. Mobility Wheels
- P. Wing**
- T. Throat Plate**
- X. Front Fence Rail**



## Setup Help Sections

### Receiving

It is likely that your machine will be delivered by a third party. Before unboxing, be sure to inspect the packaging and shipping documents supplied by the driver. Ensure that there is no visible damage to the shipment. If any damage has occurred because of shipment, note the damage on the bill of lading or refuse the shipment. Immediately call the dealer store where the machine was purchased.

1. Never accept a shipment that is damaged or partial without notifying the shipping company and the purchasing store.

### Placement

Prior to removing the machine from the packaging, decide the operating location of the machine. The dimensions and floor space can be found here: Dimensions.

1. There should be sufficient area at the front of the machine to allow you to work on it comfortably.
2. There should be sufficient area at the back of the machine to allow access for adjustments and maintenance to be conducted.
3. The better the lighting the more accurately and safely you will be able to work.
4. You should select a solid flat floor, preferably one made of concrete or something similar.
5. Locate it close to a power source and dust collection (if applicable).

### Unboxing

Once in place, carefully unbox and remove all components. Unboxing guidelines:

1. Do not cut deep into a box with a blade as it could scratch the paint; only cut deep enough to cut the tape or use a dull edge.
2. Prior to setting up the machine, organize all hardware and setup tools needed.

## Maintenance & Troubleshooting

**⚠ WARNING!** Never perform and setup, maintenance or adjustment procedures with the machine connected to the power source!

**⚠ WARNING!** If you have any doubt about the described procedure, seek professional assistance. Do not attempt any procedure that you feel is unsafe, or that you do not have the physical capability of achieving.

**⚠ WARNING!** When removing banding, extreme caution must be used as the banding will spring when cut.

**⚠ CAUTION!** The machine is heavy. Ensure that you have enough people to do the job safely.

**TECH TIP** There may be sawdust in or around your new machine as a result of thorough testing.

### General

Keep your machine clean. At the end of each day, clean the machine. Wood contains moisture, and if sawdust or wood chips are not removed, they will cause rust. In general, we recommend that you only use a Teflon-based lubricant on the saw. Regular oil attracts dust and dirt. Teflon lubricant tends to dry and has less of a tendency to accumulate dirt and saw dust. Periodically check that all nuts and bolts are tight.

### Drive belt

The drive belt should last for many years (depending on the usage) but needs to be inspected regularly for cracks, cuts and general wear. If damage is found, replace the belt.

### Bearings

All bearings are sealed for life and do not require any maintenance. If a bearing becomes faulty, replace it.

### Rust

The saw is made from steel and cast iron. All non-painted surfaces will rust if not protected. It is recommended that they be protected by applying wax or a Teflon-based lubricant to them.

|  |   |
|--|---|
| <p><b>Daily Check:</b></p> <ul style="list-style-type: none"> <li>• Loose mounting bolts</li> <li>• Damaged saw blade</li> <li>• Damaged riving knives, splitters, or blade guards</li> <li>• Worn or damaged wires</li> <li>• Any other unsafe condition</li> </ul> | <p><b>Weekly Maintenance:</b></p> <ul style="list-style-type: none"> <li>• Clean table surface and miter slot grooves</li> <li>• Clean and protect cast iron table</li> <li>• Clean rip fence</li> </ul>                    |
| <p><b>Monthly Maintenance:</b></p> <ul style="list-style-type: none"> <li>• Clean/vacuum dust buildup from inside cabinet and off motors.</li> <li>• Check/replace belt for proper tension, damage or wear</li> </ul>  | <p><b>Every 6–12 Months:</b></p> <ul style="list-style-type: none"> <li>• Lubricate trunnion slides.</li> <li>• Lubricate worm gear.</li> <li>• Lubricate leadscrew.</li> <li>• Lubricate gearing and gearboxes.</li> </ul> |

## Safety Device Alignment

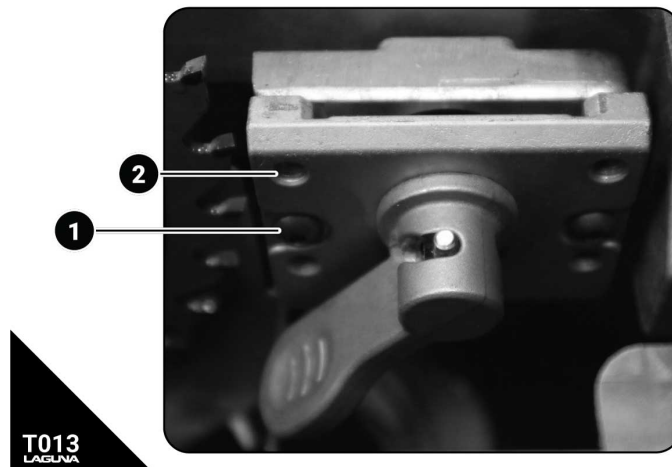


Fig T013: Safety Device adjustments. (1) locking bolts. (2) adjustment set screws.

The riving knife, blade guard, or splitter must be aligned with the blade to be used effectively. The riving knife should only be used with blades specified on the riving knife (or vice versa). To adjust the position of the blade safety attachments, relative to the saw blade:

- Loosen the two middle setting bolts. These two bolts fasten the assembly in-between the set screws and the arbor block.
- Adjust the set screws as needed to correct the out-of-align blade attachment. Do small adjustments and check.

## Table/Blade/Fence Alignment

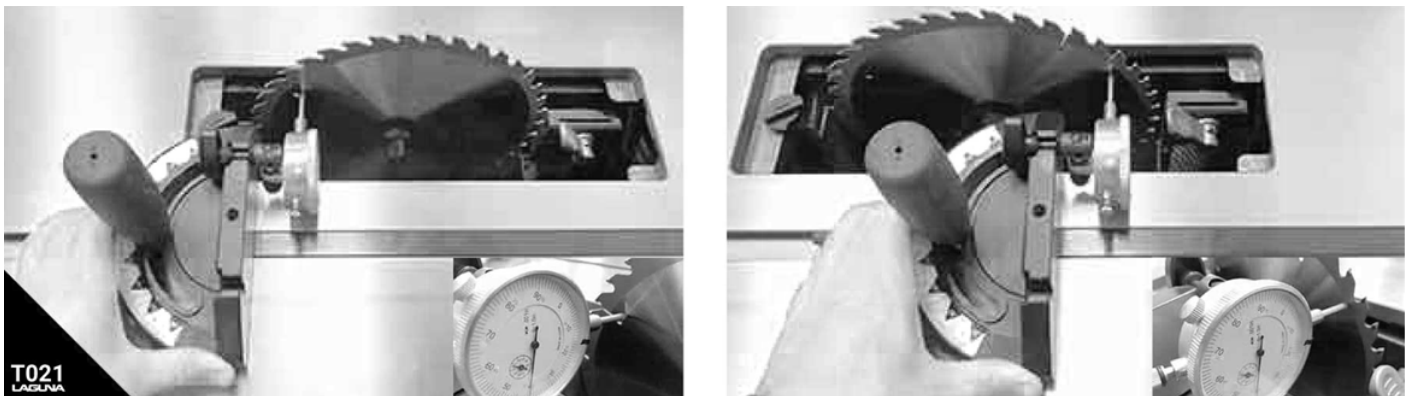


Fig T021: Blade/Table alignment with mitre gauge and dial indicator.

It is good practice to make sure that the table is always parallel to the blade by checking it often. You can do this with a combination square or with a dial indicator on an appropriate mount. There are several dedicated tools to do this job well like the saw gauge sold by WoodPeckers®.

With the throat plate and all attachments removed, raise the blade to the highest position at 90 degrees with the table. Take an initial measurement about ½ inch from the ground edge of the blade as shown.

Keep the mitre gauge against the left rail and slowly move across the blade. Take the second measurement and compare with the initial measurement. Adjust the table to compensate false measurements. There are 3 bolts to loosen prior to adjusting the table.

NOTE: The fusion 1 should not come out of square as the trunnion is bolted to the table. If the procedure results in false measurement, please check the blade and arbor nut prior to any further adjustments.

| Behavior   | Possible Causes   | Solutions  |
|--|---|--|
| <b>Machine will not start or continues to trip the breaker.</b>            | <ol style="list-style-type: none"> <li>1. Start capacitor at fault.</li> <li>2. Motor connection wired wrong.</li> <li>3. Wiring at fault.</li> <li>4. Motor Start/Stop switch at fault.</li> <li>5. Motor at fault.</li> <li>6. Run capacitor at fault.</li> <li>7. Wall circuit breaker tripped or at fault.</li> <li>8. Power supply switched OFF or at fault.</li> <li>9. Plug/receptacle at fault or wired incorrectly.</li> </ol>   | <ol style="list-style-type: none"> <li>1. Test/replace if faulty.</li> <li>2. Correct motor wiring connections.</li> <li>3. Check/fix broken, disconnected, or corroded wires.</li> <li>4. Replace switch.</li> <li>5. Test/repair/replace.</li> <li>6. Test/replace if faulty.</li> <li>7. Ensure circuit size is correct/replace weak breaker.</li> <li>8. Ensure power supply is on/has correct voltage.</li> <li>9. Test wires and contacts; correct the wiring.</li> </ol>  |
| <b>Machine is excessively loud or is experiencing excessive vibration.</b> | <ol style="list-style-type: none"> <li>1. Motor or component loose.</li> <li>2. Blade at fault.</li> <li>3. Motor mount loose/broken.</li> <li>4. Machine incorrectly mounted.</li> <li>5. Arbor pulley loose.</li> <li>6. Belts worn or loose.</li> <li>7. Pulley loose or at fault.</li> <li>8. Arbor bearings at fault.</li> </ol>   | <ol style="list-style-type: none"> <li>1. Inspect/replace damaged bolts/nuts, and re tighten with thread-locking fluid.</li> <li>2. Replace warped/bent blade; re-sharpen dull blade.</li> <li>3. Tighten/replace.</li> <li>4. Tighten mounting bolts; relocate/shim machine.</li> <li>5. Re-tighten/replace arbor pulley.</li> <li>6. Adjust tension of/replace belt.</li> <li>7. Realign/replace shaft, pulley, setscrew, and key.</li> <li>8a. Replace arbor housing bearings; replace arbor.</li> <li>8b. Test by rotating shaft; grinding/loose shaft requires bearing replacement.</li> </ol>                                      |
| <b>Machine trips the overload, or feels underpowered during operation.</b> | <ol style="list-style-type: none"> <li>1. Feed rate/cutting speed too fast.</li> <li>2. Workpiece material unsuitable for machine.</li> <li>3. Pulley/sprocket slipping on shaft.</li> <li>4. Motor bearings at fault.</li> <li>5. Contactor (internal breaker) at fault.</li> <li>6. Motor overheated.</li> <li>7. Workpiece crooked; fence not aligned.</li> <li>8. Machine undersized for task; wrong blade.</li> <li>9. Run capacitor at fault.</li> <li>10. Belt is slipping from pulley.</li> <li>11. Motor wired incorrectly.</li> <li>12. Plug/receptacle at fault.</li> <li>13. Motor at fault.</li> </ol> | <ol style="list-style-type: none"> <li>1. Decrease feed rate/cutting speed.</li> <li>2. Only cut wood; ensure moisture is below 20%.</li> <li>3. Test for good contacts/correct wiring.</li> <li>4. Replace loose pulley/shaft.</li> <li>5. Test/repair/replace.</li> <li>6. Test all legs for power/replace if faulty.</li> <li>7. Clean motor, let cool, and reduce workload.</li> <li>8. Straighten or replace workpiece; adjust fence.</li> <li>9. Use correct blade; reduce feed rate or depth of cut.</li> <li>10. Test/repair/replace.</li> <li>11. Adjust tension of/replace belt.</li> <li>12. Wire motor correctly.</li> </ol> |

|                        |   |   |
|------------------------|---|---|
|                        |   | 13. Test/repair/replace.  |
| <b>Dust Collection</b> | <ol style="list-style-type: none"><li>1. Inadequate suction</li><li>2. No suction</li></ol> | <ol style="list-style-type: none"><li>1. The optional zero clearance throat plate will supply better dust collection than the standard die cast throat plate.</li><li>2. move motor cover and verify that the internal hose is fixed to the blade shroud port and the external 4" port.</li></ol> |

## Wiring

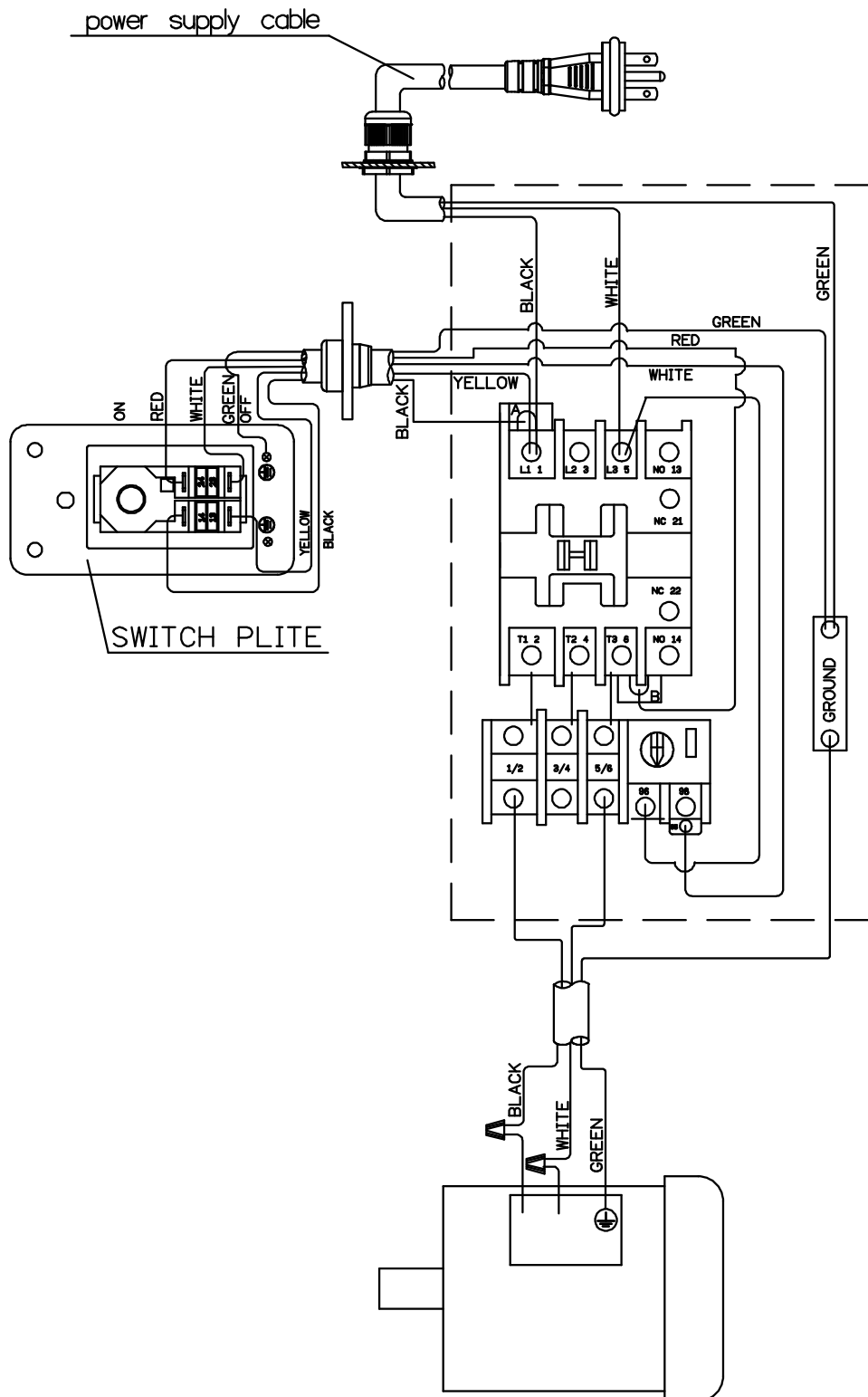
**⚠ WARNING!** VOLTAGE. Before connecting this tool to a power supply (receptacle, outlet, etc.) make sure that the voltage supplied is the same that is specified on the nameplate of the tool. **IF IN DOUBT, DO NOT PLUG IN THE MACHINE.** Using this tool with a voltage different than that stated on the nameplate can damage the electrical components of this machine and any such damage will not be covered by a warranty.

**⚠ WARNING!** CIRCUIT BREAKER. Also make sure that the power supply is equipped with the appropriate breaker and plug according to your local electrical code. To do this, first check the motor plate to get the FLA amperage of the machine, if worn out or not present then refer to the specifications sheet. If there is any doubt in regards to choosing the appropriate circuit breaker, please consult an electrician or an electrical supply source.

**⚠ WARNING!** ELECTRICAL SHOCK. It is extremely dangerous to work on live wires and/or electrical systems that are connected to a power source. **ALWAYS** disconnect the power from the machine prior to performing any maintenance or adjustments.

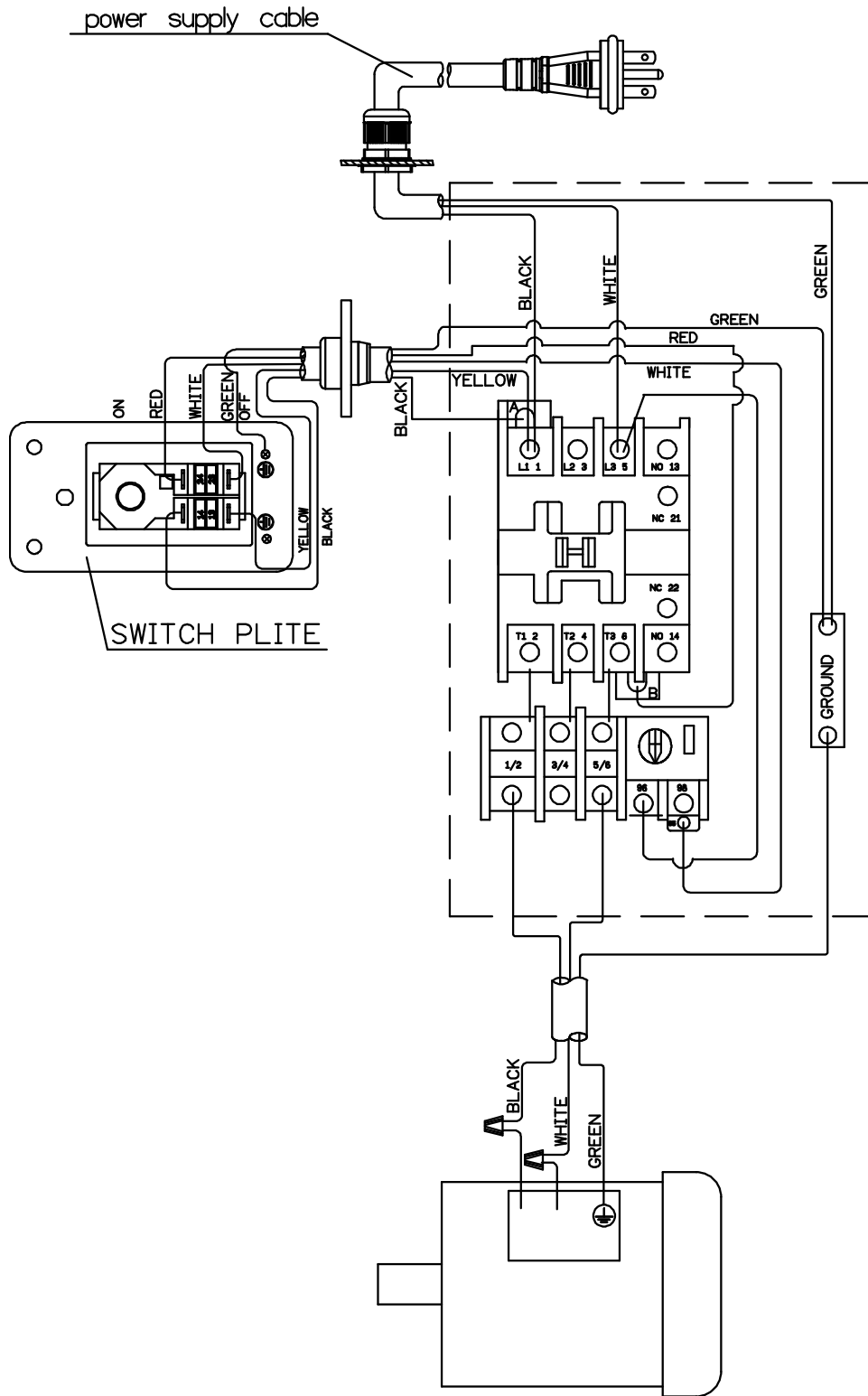
**⚠ WARNING!** MOTOR WIRING: The information in this manual was current at the time of printing but may be different than the diagram on your machine. **ALWAYS** use the supplied wiring diagram with the machine or motor (under the electrical covering) if present.

Fusion F3 Table Saw (MTSF3362203-0130)



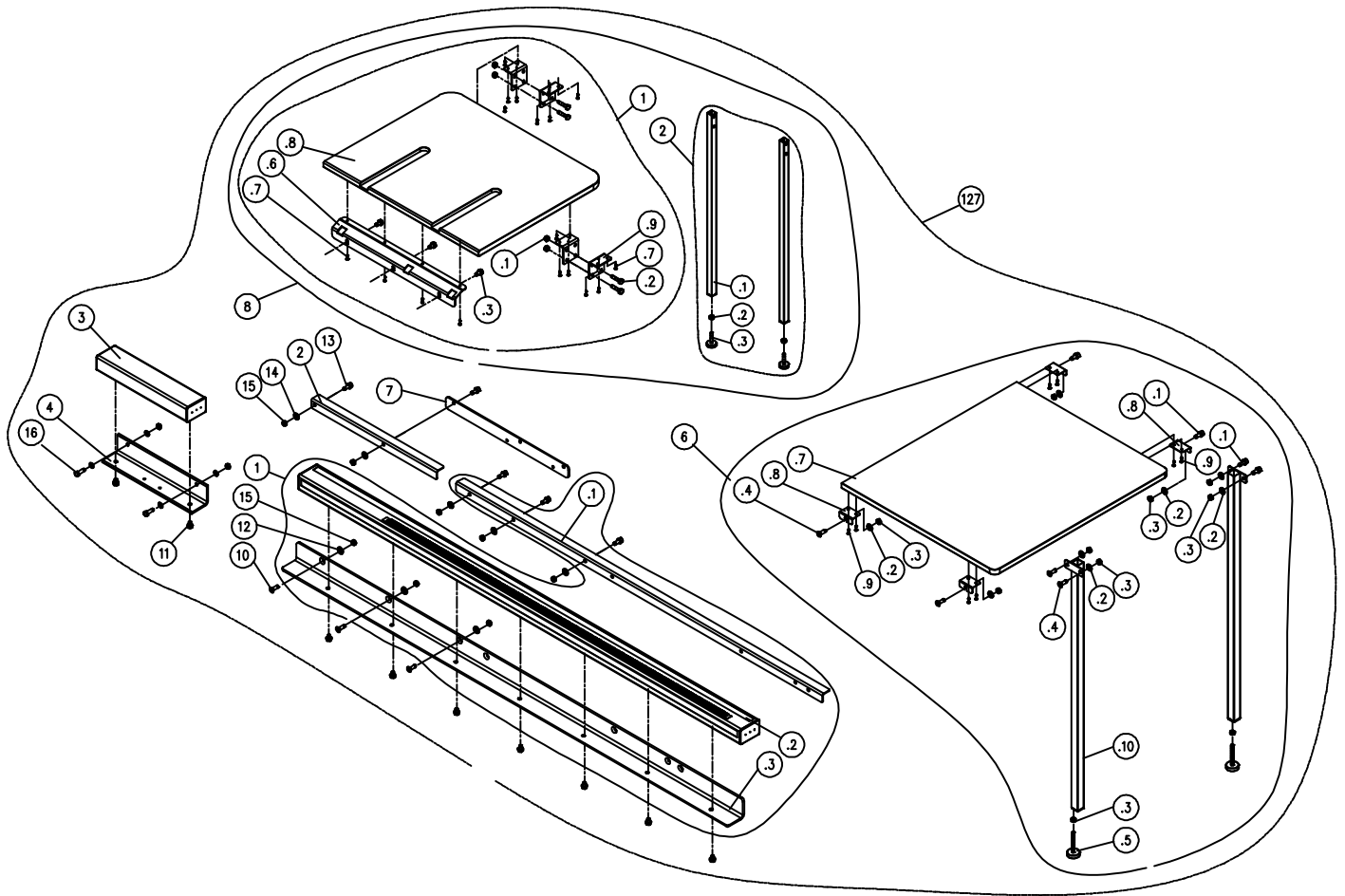


Fusion F3 Table Saw 52 (MTSF3362203-0130-52)

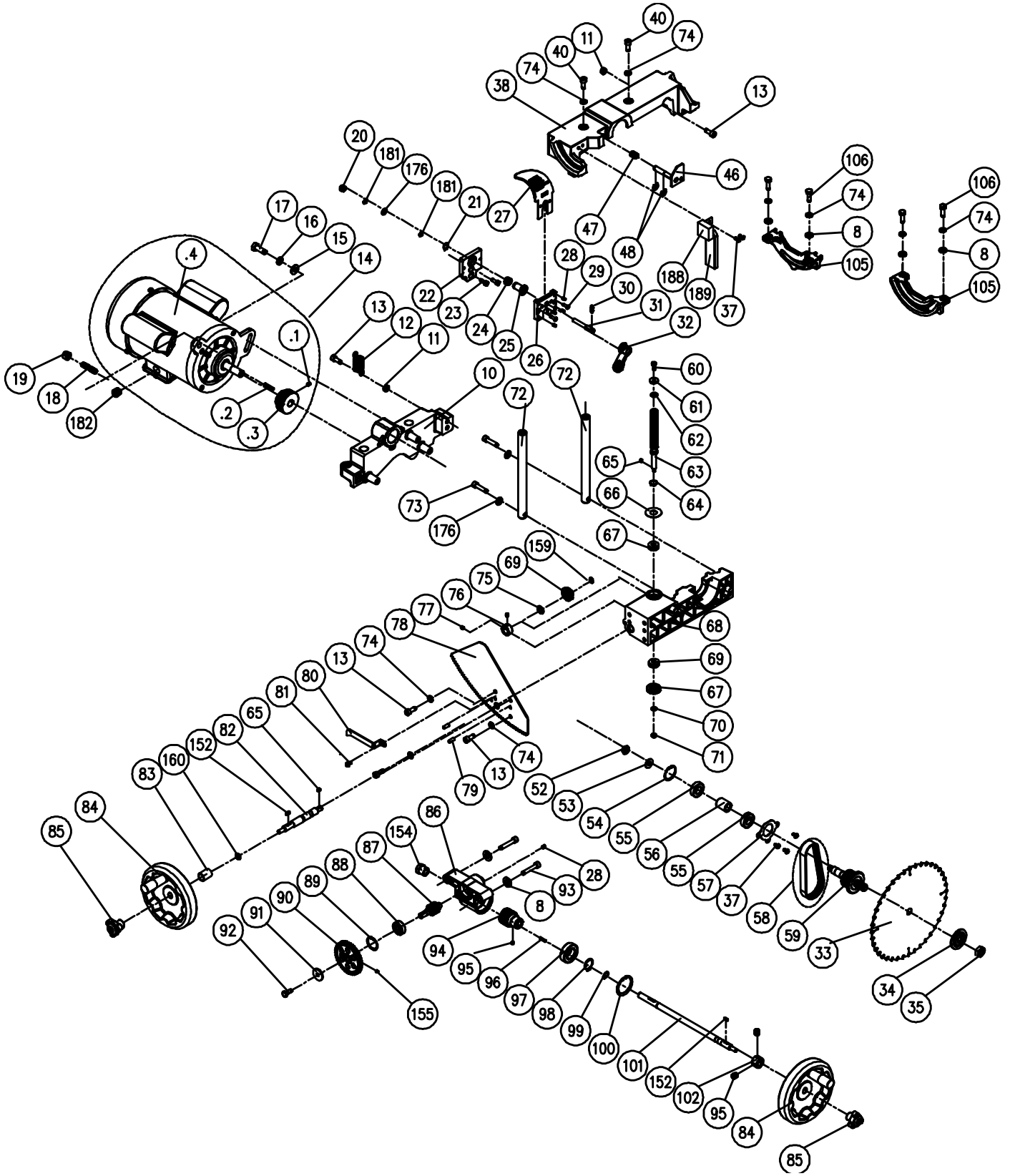


Parts

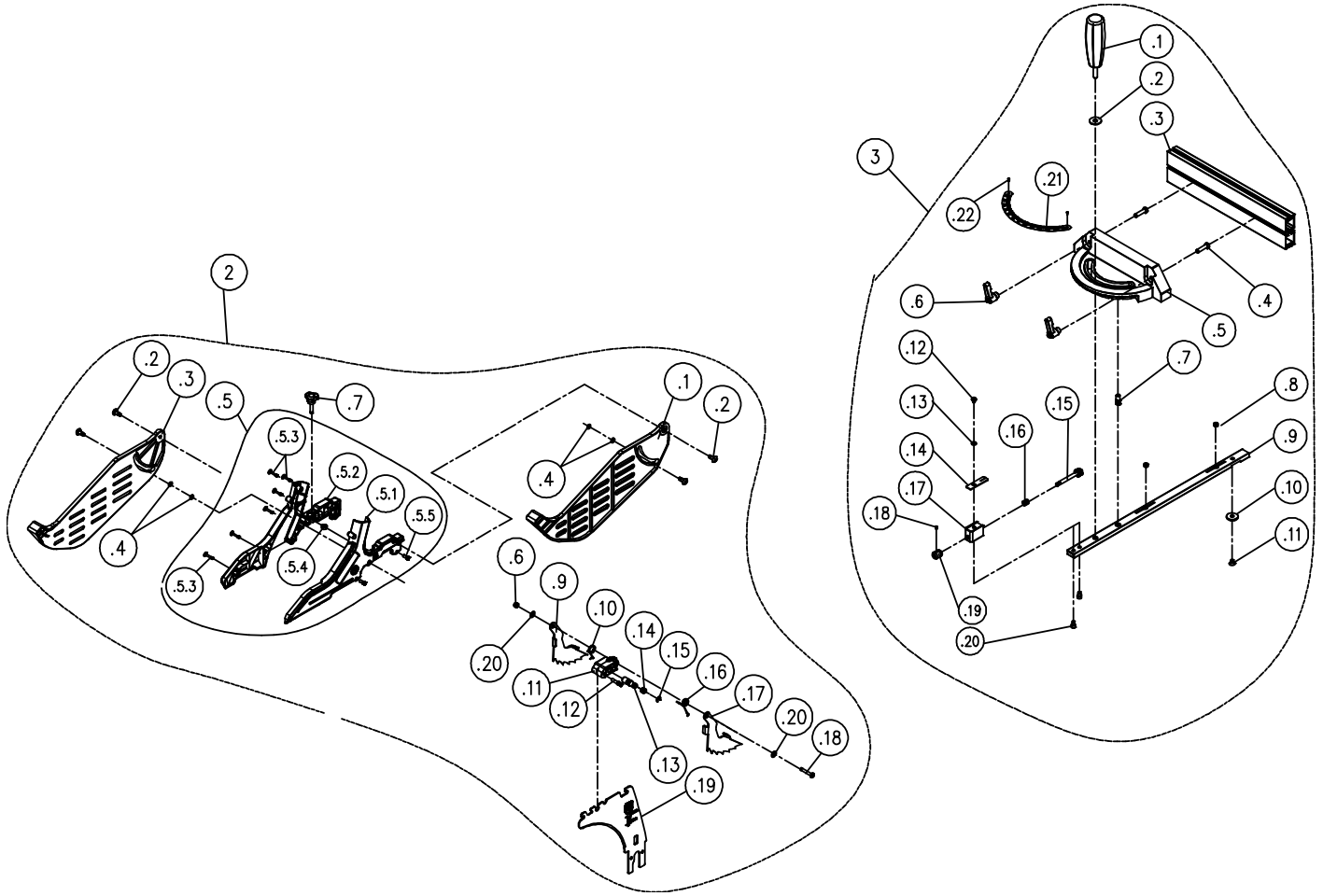
F3 CE Rail & Rear Table



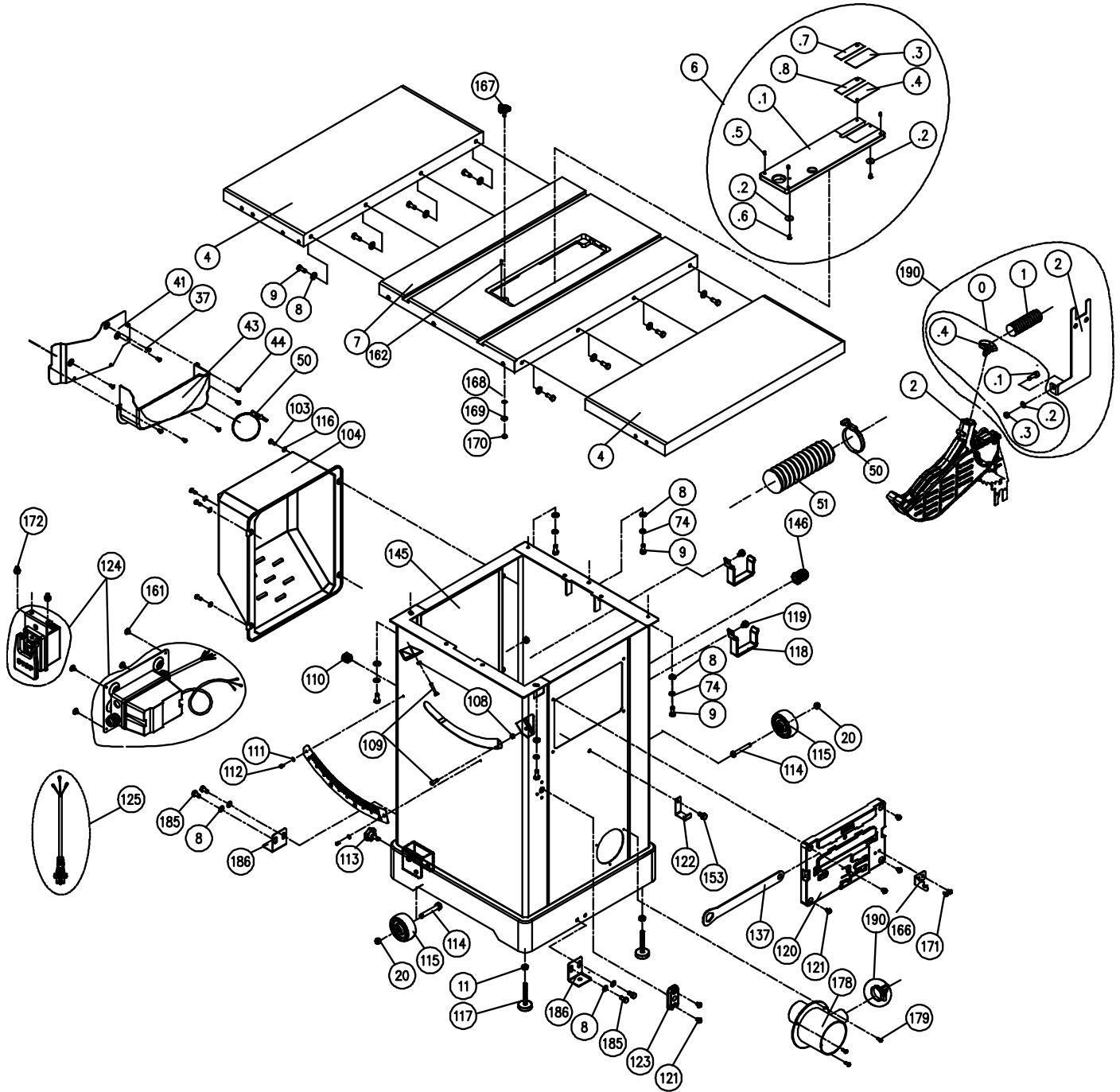
F3 Internal



F3 Miter Gauge & Blade Guard



F3 Table & Cabinet



## Fusion F3 Table Saw Parts Table (MTSF3362203-0130)

| KEY   | PART NO.   | DESCRIPTIONS                 | SPECIFICATION     | Q'TY |
|-------|------------|------------------------------|-------------------|------|
| 1     | 924913-001 | Fence Assembly               |                   | 1    |
| 1.2   | 310511-909 | Adaptor                      |                   | 1    |
| 1.3   | 000002-308 | Hex. Screw                   | M6*1.0P*45        | 1    |
| 1.4   | 171993-904 | Bracket                      |                   | 1    |
| 1.5   | 250602-621 | Frictional Plate             |                   | 1    |
| 1.7   | 250470-620 | Pointer                      |                   | 1    |
| 1.8   | 006002-023 | Flat Washer                  | 6.3*13*2.0t       | 2    |
| 1.9   | 000304-203 | Pan Head Screw               | M6*1.0P*12        | 2    |
| 1.10  | 174903-308 | Fence Body                   |                   | 1    |
| 1.11  | 008005-100 | Hex. Nut                     | M6*1.0P(10B*5H)   | 1    |
| 1.12  | 250587-615 | Frictional Wheel             |                   | 1    |
| 1.15  | 250472-621 | Plastic Set Screw            | M12*1.75P         | 2    |
| 1.16  | 000004-306 | Hex. Screw                   | M10*1.5P*50       | 1    |
| 1.17  | 230282-615 | Ball                         |                   | 1    |
| 1.18  | 922141-001 | Compress Cam Assembly        |                   | 1    |
| 1.19  | 250471-621 | Frictional Plate             |                   | 2    |
| 1.20  | 002103-103 | Flat Head Screw              | M6*1.0P*8         | 2    |
| 1.21  | 171372-904 | Bracket for Frictional Plate |                   | 1    |
| 1.22  | 008308-100 | Lock Nut                     | M10*1.5P(17B*12H) | 1    |
| 1.23  | 008304-100 | Lock Nut                     | M6*1.0P(10B*6H)   | 1    |
| 1.24  | 001903-105 | SET Lock Screw               | M8*1.25P*8        | 2    |
| 1.25  | 250672-615 | Spacer                       |                   | 4    |
| 1.26  | 380883-904 | Handle Shaft                 |                   | 1    |
| 1.32  | 270007-901 | Spring Plate                 |                   | 2    |
| 1.33  | 000302-101 | Pan Head Screw               | M4*0.7P*6         | 4    |
| 1.35  | 174713-000 | Fix Plate                    |                   | 1    |
| 1.36  | 251433-615 | Wing Screw                   |                   | 3    |
| 1.37  | 250624-615 | End Cap                      |                   | 1    |
| 2     | 924883-001 | Blade Guard Assembly         |                   | 1    |
| 2.1   | 251246-000 | Right Cover                  |                   | 1    |
| 2.2   | 290073-905 | Shoulder Shaft               |                   | 4    |
| 2.3   | 251247-000 | Left Cover                   |                   | 1    |
| 2.4   | 043317-000 | O-Ring                       | P006              | 4    |
| 2.5   | 924884-001 | Blade Guard support Assembly |                   | 1    |
| 2.5.1 | 924885-001 | Support (L)                  |                   | 1    |
| 2.5.2 | 924886-001 | Support (R)                  |                   | 1    |
| 2.5.3 | 001201-002 | Tapping Screw                | M4*1.41P*20       | 6    |
| 2.5.4 | 008005-200 | Hex. Nut                     | M6*1.0P(10B*5H)   | 1    |
| 2.5.5 | 360960-901 | Pin                          |                   | 2    |
| 2.6   | 008302-100 | Lock Nut                     | M5*0.8P(8B*6H)    | 1    |
| 2.7   | 230336-615 | Bolt                         |                   | 1    |
| 2.9   | 171378-904 | Anti-Kick Finger -Left       |                   | 1    |
| 2.10  | 280162-901 | Spring                       |                   | 1    |
| 2.11  | 251311-615 | Block                        |                   | 1    |
| 2.12  | 360864-000 | Pin                          |                   | 1    |
| 2.13  | 360865-901 | Spreader Shaft               |                   | 1    |
| 2.14  | 280160-901 | Spring                       |                   | 1    |
| 2.15  | 010204-000 | Retaining Ring               | ETW-7             | 1    |
| 2.16  | 280163-901 | Spring                       |                   | 1    |
| 2.17  | 171379-904 | Anti-Kick Finger -Right      |                   | 1    |
| 2.18  | 000303-110 | Pan Head Phillip Screw       | M5*0.8P*30        | 1    |

|      |            |                          |                                 |    |
|------|------------|--------------------------|---------------------------------|----|
| 2.19 | 174397-904 | Spreader                 |                                 | 1  |
| 2.20 | 006001-012 | Flat Washer              | 5.3*12*1.0t                     | 2  |
| 3    | 924562-001 | Miter Gauge Assy         |                                 | 1  |
| 3.1  | 230191-000 | Handle                   |                                 | 1  |
| 3.2  | 006002-056 | Flat Washer              | 8.5*23*2t                       | 1  |
| 3.3  | 310500-911 | Apron                    |                                 | 1  |
| 3.4  | 003001-102 | Hex. Screw               | 1/4"20NC*1"                     | 2  |
| 3.5  | 090342-008 | Miter Gauge Body         |                                 | 1  |
| 3.6  | 230408-000 | Lock Handle              |                                 | 2  |
| 3.7  | 360355-901 | Pin                      |                                 | 1  |
| 3.8  | 000204-114 | SET Screw                | M8*1.25P*6                      | 2  |
| 3.9  | 381390-904 | Slot Bar                 |                                 | 1  |
| 3.10 | 130380-903 | Washer                   |                                 | 1  |
| 3.11 | 000403-209 | Flat Head Phillip Screw  | M6*1.0P*8                       | 1  |
| 3.12 | 000303-202 | Pan Head Phillip Screw   | M5*0.8P*8                       | 1  |
| 3.13 | 006002-009 | Flat Washer              | 5.2*10*1.0t                     | 1  |
| 3.14 | 251305-620 | Pointer                  |                                 | 1  |
| 3.15 | 924563-000 | Adjusting Wheel Assembly |                                 | 1  |
| 3.16 | 280272-000 | Spring                   |                                 | 1  |
| 3.17 | 130378-903 | Spacer                   |                                 | 1  |
| 3.18 | 000201-105 | SET Screw                | M4*0.7P*4                       | 1  |
| 3.19 | 381388-904 | Handle                   |                                 | 1  |
| 3.20 | 000102-102 | Cap Screw                | M5*0.8P*8                       | 2  |
| 3.21 | 574852-000 | Scale                    |                                 | 1  |
| 3.22 | 002301-201 | Rivet                    | 2*5                             | 2  |
| 4    | 051386-000 | Extension Table          |                                 | 2  |
| 6    | 924397-001 | Table Insert Assembly    |                                 | 1  |
| 6.1  | 251262-663 | Table Insert             |                                 | 1  |
| 6.2  | 006011-187 | Flat Washer              | 5.3*16*1.0t                     | 2  |
| 6.3  | 270077-902 | Wear Plate -Right        |                                 | 1  |
| 6.4  | 420022-000 | Double-Sided Adhesive    | 3M VHB F-9473 PC t= 0.25mm      | 1  |
| 6.5  | 001901-104 | Set screw                | M5*0.8P*12                      | 4  |
| 6.6  | 002002-101 | Round Head Phillip Screw | M5*0.8P*8                       | 2  |
| 6.7  | 270078-902 | Wear Plate -Left         |                                 | 1  |
| 6.8  | 420023-000 | Double-Sided Adhesive    | 3M VHB F-9473 PC t= 0.25mm      | 1  |
| 7    | 051368-000 | Table                    |                                 | 1  |
| 8    | 006001-049 | Flat Washer              | 8.5*16*2.0t                     | 23 |
| 9    | 000003-104 | Hex. Screw               | M8*1.25P*20                     | 13 |
| 10   | 051370-000 | Up-down Bracket          |                                 | 1  |
| 11   | 008006-100 | Hex Nut                  | M8*1.25P(13B*6.5H)              | 4  |
| 12   | 280258-905 | Spring                   |                                 | 1  |
| 13   | 000104-106 | Cap Screw                | M8*1.25P*20                     | 5  |
| 14   | 901081-001 | Motor Assy               | 3HP*230V*60HZ*1PH*2P            | 1  |
| 14.1 | 001902-110 | SET Lock Screw           | M6*1.0P*8                       | 1  |
| 14.2 | 012202-002 | Key                      | 5*5*30                          | 1  |
| 14.3 | 381282-902 | Motor Pulley             | 60HZ                            | 1  |
| 14.4 | 603145-000 | Motor                    | 3HP*220V~240V*60HZ*1PH*2P*13.9A | 1  |
| 15   | 006001-069 | Flat Washer              | 10*20*3.0t                      | 1  |
| 16   | 006307-100 | Spring Washer            | 10.2*18.5                       | 1  |
| 17   | 000004-103 | Hex. Screw               | M10*1.5P*30                     | 1  |
| 18   | 360863-901 | Motor Fixing Shaft       |                                 | 1  |
| 19   | 008308-100 | Lock Nut                 | M10*1.5P(17B*12H)               | 1  |
| 20   | 008306-100 | Lock Nut                 | M8*1.25P(13B*9H)                | 3  |

|    |            |                              |                  |    |
|----|------------|------------------------------|------------------|----|
| 21 | 010005-000 | Retaining Ring               | STW-14           | 1  |
| 22 | 130359-903 | Bracket for Riving Knife     |                  | 1  |
| 23 | 000104-104 | Cap Screw                    | M8*1.25P*16      | 2  |
| 24 | 280259-901 | Spring                       |                  | 1  |
| 25 | 130363-903 | Bushing                      |                  | 1  |
| 26 | 130360-903 | Block                        |                  | 1  |
| 27 | 174396-904 | Riving Knife                 |                  | 1  |
| 28 | 001902-110 | SET Lock Screw               | M6*1.0P*8        | 5  |
| 29 | 000804-106 | Round Head Screw             | M5*0.8P*16       | 2  |
| 30 | 361251-905 | Pin                          |                  | 1  |
| 31 | 361250-901 | Fixing Knob                  |                  | 1  |
| 32 | 110071-000 | Lock Handle                  |                  | 1  |
| 33 | 390017-000 | Sawblade                     | 10"*40T          | 1  |
| 34 | 174399-901 | Sawblade clamp               |                  | 1  |
| 35 | 380205-901 | Nut                          | TW5/8"-12        | 1  |
| 37 | 002503-101 | Round Head Socket Lock Screw | M5*0.8P*12       | 8  |
| 38 | 051369-000 | Upper Trunnion               |                  | 1  |
| 40 | 002601-107 | Locking CAP screw            | M8*1.25P*25      | 2  |
| 41 | 174773-000 | Fixing Plate                 |                  | 1  |
| 43 | 251398-615 | Dust Hood                    |                  | 1  |
| 44 | 002002-101 | Round Head Phillip Screw     | M5*0.8P*8        | 5  |
| 46 | 174325-156 | Arbor Lock Handle            |                  | 1  |
| 47 | 280260-901 | Spring                       |                  | 1  |
| 48 | 010206-000 | Retaining Ring               |                  | 2  |
| 50 | 042608-000 | Clamp                        | 60-80mm(I.D.)    | 2  |
| 51 | 042620-008 | Dust Hose                    | 2.5"*800mm       | 1  |
| 52 | 008316-200 | Lock Nut                     | M10*1.5P(17B*8H) | 1  |
| 53 | 006001-075 | Flat Washer                  | 10.3*22*2.0t     | 1  |
| 54 | 010103-000 | Retaining Ring               | RTW-35           | 1  |
| 55 | 030211-002 | Ball Bearing                 | 6003             | 2  |
| 56 | 190270-901 | Spacer                       |                  | 1  |
| 57 | 174305-901 | Fixed Plate                  |                  | 1  |
| 58 | 014354-000 | Poly-V-Belt                  | 135J7            | 1  |
| 59 | 381281-902 | Arbor                        |                  | 1  |
| 60 | 000002-103 | Hex. Screw                   | M6*1.0P*16       | 1  |
| 61 | 006001-020 | Flat Washer                  | 6.2*20*3.0t      | 1  |
| 62 | 006007-114 | Flat Washer                  | 6.4*16*1.6t      | 1  |
| 63 | 361245-901 | Lead Screw                   |                  | 1  |
| 64 | 010007-000 | Retaining Ring               | STW-16           | 1  |
| 65 | 012002-003 | Key                          | 4*4*8            | 2  |
| 66 | 174324-000 | Washer                       |                  | 1  |
| 67 | 031011-001 | Bearing                      | 51100            | 2  |
| 68 | 090324-000 | Trunnion Base                |                  | 1  |
| 69 | 130257-000 | Bevel Gear                   |                  | 2  |
| 70 | 006001-025 | Flat Washer                  | 6.4*16*1.0t      | 1  |
| 71 | 008317-300 | Lock Nut                     | M6*1.0P(10B*5H)  | 2  |
| 72 | 361246-000 | Column                       |                  | 2  |
| 73 | 002601-108 | Locking CAP screw            | M8*1.25P*35      | 2  |
| 74 | 006305-100 | Spring Washer                | 8.2*15.4         | 14 |
| 75 | 006001-078 | Flat Washer                  | 10.5*19*1.5t     | 1  |
| 76 | 190273-901 | Bushing                      |                  | 1  |
| 77 | 000202-101 | SET Screw                    | M5*0.8P*5        | 2  |
| 78 | 174309-901 | Rotary Gear Plate            |                  | 1  |



|           |            |  |                        |   |
|-----------|------------|--|------------------------|---|
| 79        | 011004-101 | Spring Pin                                 | 6*16                   | 2 |
| 80        | 174322-156 | Pointer                                    |                        | 1 |
| 81        | 002402-101 | Round Head Lock Screw w/Washer             | M5*0.8P*12/5*10.5*1.0t | 1 |
| 82        | 361261-901 | Shaft                                      |                        | 1 |
| 83        | 251276-615 | Bushing                                    |                        | 1 |
| 84        | 924505-000 | Handwheel Assembly                         |                        | 2 |
| 85        | 920703-000 | Fixing Knob                                |                        | 2 |
| 86        | 090326-000 | Worm Gear Box                              |                        | 1 |
| 87        | 320395-901 | Worm Gear Shaft                            |                        | 1 |
| 88        | 030106-001 | Ball Bearing                               | 6201                   | 1 |
| 89        | 010102-000 | Retaining Ring                             | RTW-32                 | 1 |
| 90        | 130361-000 | Gear                                       |                        | 1 |
| 91        | 006001-127 | Flat Washer                                | 5.5*22*2.0t            | 1 |
| 92        | 000001-109 | Hex. Screw                                 | M5*0.8P*12             | 1 |
| 93        | 000104-113 | Cap Screw                                  | M8*1.25P*45            | 2 |
| 94        | 320394-901 | Worm Shaft                                 |                        | 1 |
| 95        | 001902-109 | Set screw                                  | M6*1.0P*6              | 3 |
| 96        | 012002-007 | Key  | 4*4*20                 | 1 |
| 97        | 030104-001 | Ball Bearing                               | 6005                   | 1 |
| 98        | 010011-000 | Retaining Ring                             | STW-25                 | 1 |
| 99        | 010004-000 | Retaining Ring                             | STW-13                 | 1 |
| 100       | 010107-000 | Retaining Ring                             | RTW-47                 | 1 |
| 101       | 361262-901 | Shaft                                      |                        | 1 |
| 102       | 360734-901 | Bushing                                    |                        | 1 |
| 103       | 000304-107 | Pan Head Screw                             | M6*1.0P*16             | 4 |
| 104       | 251239-615 | Motor Cover                                |                        | 1 |
| 105       | 051135-000 | Trunnion Support                           |                        | 2 |
| 106       | 000003-105 | Hex. Screw                                 | M8*1.25P*25            | 4 |
| 108       | 008005-100 | Hex Nut                                    | M6*1.0P(10B*5H)        | 2 |
| 109       | 000002-105 | Hex. Screw                                 | M6*1.0P*25             | 2 |
| 110       | 020003-000 | Strain Relief                              | SB7R-3                 | 1 |
| 111       | 006001-001 | Flat Washer                                | 4.3*10*1.0t            | 2 |
| 112       | 000302-102 | Pan Head Screw                             | M4*0.7P*8              | 2 |
| 113       | 004001-101 | Knob                                       | 5/16"-18NC*3/4"        | 2 |
| 114       | 000003-316 | Hex. Screw                                 | M8*1.25P*60            | 2 |
| 115       | 250399-615 | Wheel                                      |                        | 2 |
| 116       | 006001-022 | Flat Washer                                | 6.3*13*1.0t            | 4 |
| 117       | 230041-000 | Leveling foot                              |                        | 2 |
| 120       | 251251-615 | Storage Box                                |                        | 1 |
| 121       | 001603-102 | Round Head Screw w/Washer                  | M6*1.0P*10/6*13.2*1.0t | 6 |
| 122       | 170965-904 | Fix Plate                                  |                        | 1 |
| 123       | 250407-615 | Worm Shaft Bracket                         |                        | 1 |
| 124       | 937880-001 | Magnetic Switch Assy                       | 3HP                    | 1 |
| 124.1     | 937881-001 | Magnetic Switch Assy                       | KJD17B-230V            | 1 |
| 124.2     | 937882-001 | Magnetic Switch Assy                       | No Button              | 1 |
| 125       | 453012-023 | Power Cord                                 | SJT14AWG*3C*2550mm     | 1 |
| 127-A     | 924914-001 | 36" Rail. Right Table. Rear Table Assembly |                        | 1 |
| 127-A.1   | 924915-001 | 36" Rail Assembly                          | 36"                    | 1 |
| 127-A.1.1 | 924923-001 | Rear Rail                                  | 36"                    | 1 |
| 127-A.1.2 | 924916-001 | Front Rail Assembly                        | 36"                    | 1 |
| 127-A.1.3 | 924917-001 | Front Rail Bracket                         | 36"                    | 1 |
| 127-A.2   | 924783-001 | Rear Rail (L)                              |                        | 1 |

|             |            |                                |                        |    |
|-------------|------------|--------------------------------|------------------------|----|
| 127-A.3     | 924768-001 | Front Rail (L)                 |                        | 1  |
| 127-A.4     | 924772-001 | Front Rail Bracket (L)         |                        | 1  |
| 127-A.6     | 924773-000 | Right Table Assembly           |                        |    |
| 127-A.6.1   | 440098-000 | Right Table                    |                        | 1  |
| 127-A.6.2   | 173139-902 | Brace                          |                        | 4  |
| 127-A.6.3   | 230086-901 | Tapping Screw                  |                        | 8  |
| 127-A.7     | 924969-001 | Connect Plate                  |                        |    |
| 127-A.8     | 924796-001 | Rear Table Leg Assembly        |                        | 1  |
| 127-A.8.1   | 924797-001 | Rear Table Assembly            |                        | 1  |
| 127-A.8.1.1 | 008308-100 | Lock Nut                       | M10*1.5P(17B*12H)      | 4  |
| 127-A.8.1.2 | 000004-112 | Hex. Screw                     | M10*1.5P*45            | 4  |
| 127-A.8.1.3 | 049201-101 | Hex. Screw w/Flat Washer       | M8*1.25P*16/(13B*6.5H) | 3  |
| 127-A.8.1.5 | 174780-904 | Support Plate                  |                        | 1  |
| 127-A.8.1.6 | 001102-505 | Round Head Tapping Screw       | M4*1.59P*16            | 16 |
| 127-A.8.1.7 | 440099-000 | Rear Table                     |                        | 1  |
| 127-A.8.2   | 924798-001 | Leg Assembly                   |                        | 1  |
| 127-A.8.2.1 | 190208-365 | Leg                            |                        | 2  |
| 127-A.8.2.2 | 008006-100 | Hex. Nut                       | M8*1.25P(13B*6.5H)     | 2  |
| 127-A.8.2.3 | 230041-000 | Leveling foot                  | S20C+NBR               | 2  |
| 127-A.9     | 000704-102 | Flat Head Hex. Screw           | M8*1.25P*25            | 5  |
| 127-A.10    | 049201-102 | Hex. Screw w/Flat Washer       | M8*1.25P*12/(13B*5.5H) | 7  |
| 127-A.11    | 006305-100 | Spring Washer                  | 8.2*15.4               | 3  |
| 127-A.12    | 001803-103 | CAP Screw w/ Spring Washer     | M8*1.25P*25/8.2*13.7   | 7  |
| 127-A.13    | 006001-049 | Flat Washer                    | 8.5*16*2.0t            | 16 |
| 127-A.14    | 008006-100 | Hex. Nut                       | M8*1.25P(13B*6.5H)     | 14 |
| 127-A.15    | 000003-105 | Hex. Screw                     | M8*1.25P*25            | 2  |
| 118         | 170541-904 | Slide Shelf                    |                        | 2  |
| 119         | 049201-101 | Hex. Screw w/Flat Washer       | M8*1.25P*16/(13B*6.5H) | 2  |
| 130         | 251362-615 | Push Sticks                    |                        | 1  |
| 133         | 040002-000 | Hex. Wrench                    | 2.5mm                  | 1  |
| 188         | 040013-000 | Hex. Wrench                    | 5mm                    | 1  |
| 134         | 040006-000 | Hex. Wrench                    | 6mm                    | 1  |
| 135         | 174569-904 | Open Wrench                    | 10*13                  | 1  |
| 137         | 174315-904 | Arbor Wrench                   |                        | 1  |
| 140         | 041501-004 | Plastic Paper                  | 1220*790*0.04t         | 1  |
| 145         | 174469-000 | Stand                          |                        | 1  |
| 146         | 021311-000 | Strain Relief                  | PGA13.5-11B            | 1  |
| 152         | 012002-005 | Key                            | 4*4*12                 | 2  |
| 153         | 049201-101 | Hex Screw w/Washer             | M8*1.25P*16/(13B*6.5H) | 1  |
| 154         | 130368-903 | Adjusting Bushing              |                        | 1  |
| 155         | 001901-101 | Set screw                      | M5*0.8P*5              | 1  |
| 159         | 010001-000 | Retaining Ring                 | STW-10                 | 1  |
| 160         | 043322-000 | O-Ring                         | P11                    | 1  |
| 161         | 002402-102 | Round Head Lock Screw w/Washer | M5*0.8P*10-5*16*1.5t   | 4  |
| 162         | 011001-103 | Spring Pin                     | 3*10                   | 1  |
| 166         | 174398-904 | Hook                           |                        | 1  |
| 167         | 251243-615 | Knob                           |                        | 1  |
| 168         | 006701-100 | Wave Washer                    | WW-6                   | 1  |
| 169         | 006001-137 | Flat Washer                    | 5.3*16*1.5t            | 1  |
| 170         | 008302-100 | Lock Nut                       | M5*0.8P(8B*6H)         | 1  |
| 171         | 001104-703 | Round Head Tapping Screw       | M5*2.12P*12            | 2  |
| 172         | 049201-102 | Hex Screw w/Washer             | M8*1.25P*12/(13B*5.5H) | 2  |

|         |            |                                  |                      |   |
|---------|------------|----------------------------------|----------------------|---|
| 175     | 041502-010 | Plastic Paper                    | 750*1400*0.1t        | 1 |
| 176     | 006001-045 | Flat Washer                      | 8.5*16*1.0t          | 3 |
| 178     | 251418-615 | Adaptor                          |                      | 1 |
| 179     | 000303-104 | Pan Head Screw                   | M5*0.8P*12           | 3 |
| 181     | 006702-100 | Wave Washer                      | WW-8                 | 2 |
| 182     | 020002-000 | Strain Relief                    | SB7R-1               | 1 |
| 185     | 000003-102 | Hex. Screw                       | M8*1.25P*16          | 4 |
| 186     | 174711-000 | Fix Plate                        |                      | 2 |
| 188     | 200108-000 | Sponge                           |                      | 1 |
| 189     | 174772-000 | Plate                            |                      | 1 |
| 190     | 924854-001 | Over Head Guards Assembly        | 36"                  | 1 |
| 190.1   | 042620-015 | Dust Hose                        | 1.5"*2700mm          | 1 |
| 190.2   | 174887-904 | Brace                            |                      | 1 |
| 190.3   | 850913-001 | Hardware Bag for Over Head Guard | 36"                  | 1 |
| 190.3.1 | 001803-103 | CAP Screw w/ Spring Washer       | M8*1.25P*25/8.2*13.7 | 1 |
| 190.3.2 | 006001-049 | Flat Washer                      | 8.5*16*2.0t          | 1 |
| 190.3.3 | 008006-100 | Hex Nut                          | M8*1.25P(13B*6.5H)   | 1 |
| 190.3.4 | 042622-001 | Clamp                            | 1.5"                 | 2 |

## Parts | Fusion F3 52 Table Saw (MTSF3362203-0130)

### Fusion F3 52 Table Saw Parts Table (MTSF3362203-0130)

| KEY   | PART NO.   | DESCRIPTIONS                 | SPECIFICATION     | Q'TY |
|-------|------------|------------------------------|-------------------|------|
| 1     | 924913-001 | Fence Assembly               |                   | 1    |
| 1.2   | 310511-909 | Adaptor                      |                   | 1    |
| 1.3   | 000002-308 | Hex. Screw                   | M6*1.0P*45        | 1    |
| 1.4   | 171993-904 | Bracket                      |                   | 1    |
| 1.5   | 250602-621 | Frictional Plate             |                   | 1    |
| 1.7   | 250470-620 | Pointer                      |                   | 1    |
| 1.8   | 006002-023 | Flat Washer                  | 6.3*13*2.0t       | 2    |
| 1.9   | 000304-203 | Pan Head Screw               | M6*1.0P*12        | 2    |
| 1.10  | 174903-308 | Fence Body                   |                   | 1    |
| 1.11  | 008005-100 | Hex. Nut                     | M6*1.0P(10B*5H)   | 1    |
| 1.12  | 250587-615 | Frictional Wheel             |                   | 1    |
| 1.15  | 250472-621 | Plastic Set Screw            | M12*1.75P         | 2    |
| 1.16  | 000004-306 | Hex. Screw                   | M10*1.5P*50       | 1    |
| 1.17  | 230282-615 | Ball                         |                   | 1    |
| 1.18  | 922141-001 | Compress Cam Assembly        |                   | 1    |
| 1.19  | 250471-621 | Frictional Plate             |                   | 2    |
| 1.20  | 002103-103 | Flat Head Screw              | M6*1.0P*8         | 2    |
| 1.21  | 171372-904 | Bracket for Frictional Plate |                   | 1    |
| 1.22  | 008308-100 | Lock Nut                     | M10*1.5P(17B*12H) | 1    |
| 1.23  | 008304-100 | Lock Nut                     | M6*1.0P(10B*6H)   | 1    |
| 1.24  | 001903-105 | SET Lock Screw               | M8*1.25P*8        | 2    |
| 1.25  | 250672-615 | Spacer                       |                   | 4    |
| 1.26  | 380883-904 | Handle Shaft                 |                   | 1    |
| 1.32  | 270007-901 | Spring Plate                 |                   | 2    |
| 1.33  | 000302-101 | Pan Head Screw               | M4*0.7P*6         | 4    |
| 1.35  | 174713-000 | Fix Plate                    |                   | 1    |
| 1.36  | 251433-615 | Wing Screw                   |                   | 3    |
| 1.37  | 250624-615 | End Cap                      |                   | 1    |
| 2     | 924883-001 | Blade Guard Assembly         |                   | 1    |
| 2.1   | 251246-000 | Right Cover                  |                   | 1    |
| 2.2   | 290073-905 | Shoulder Shaft               |                   | 4    |
| 2.3   | 251247-000 | Left Cover                   |                   | 1    |
| 2.4   | 043317-000 | O-Ring                       | P006              | 4    |
| 2.5   | 924884-001 | Blade Guard support Assembly |                   | 1    |
| 2.5.1 | 924885-001 | Support (L)                  |                   | 1    |
| 2.5.2 | 924886-001 | Support (R)                  |                   | 1    |
| 2.5.3 | 001201-002 | Tapping Screw                | M4*1.41P*20       | 6    |
| 2.5.4 | 008005-200 | Hex. Nut                     | M6*1.0P(10B*5H)   | 1    |
| 2.5.5 | 360960-901 | Pin                          |                   | 2    |
| 2.6   | 008302-100 | Lock Nut                     | M5*0.8P(8B*6H)    | 1    |
| 2.7   | 230336-615 | Bolt                         |                   | 1    |
| 2.9   | 171378-904 | Anti-Kick Finger -Left       |                   | 1    |
| 2.10  | 280162-901 | Spring                       |                   | 1    |
| 2.11  | 251311-615 | Block                        |                   | 1    |
| 2.12  | 360864-000 | Pin                          |                   | 1    |
| 2.13  | 360865-901 | Spreader Shaft               |                   | 1    |
| 2.14  | 280160-901 | Spring                       |                   | 1    |
| 2.15  | 010204-000 | Retaining Ring               | ETW-7             | 1    |
| 2.16  | 280163-901 | Spring                       |                   | 1    |

|      |            |                          |                                 |    |
|------|------------|--------------------------|---------------------------------|----|
| 2.17 | 171379-904 | Anti-Kick Finger -Right  |                                 | 1  |
| 2.18 | 000303-110 | Pan Head Phillip Screw   | M5*0.8P*30                      | 1  |
| 2.19 | 174397-904 | Spreader                 |                                 | 1  |
| 2.20 | 006001-012 | Flat Washer              | 5.3*12*1.0t                     | 2  |
| 3    | 924562-001 | Miter Gauge Assy         |                                 | 1  |
| 3.1  | 230191-000 | Handle                   |                                 | 1  |
| 3.2  | 006002-056 | Flat Washer              | 8.5*23*2t                       | 1  |
| 3.3  | 310500-911 | Apron                    |                                 | 1  |
| 3.4  | 003001-102 | Hex. Screw               | 1/4"20NC*1"                     | 2  |
| 3.5  | 090342-008 | Miter Gauge Body         |                                 | 1  |
| 3.6  | 230408-000 | Lock Handle              |                                 | 2  |
| 3.7  | 360355-901 | Pin                      |                                 | 1  |
| 3.8  | 000204-114 | SET Screw                | M8*1.25P*6                      | 2  |
| 3.9  | 381390-904 | Slot Bar                 |                                 | 1  |
| 3.10 | 130380-903 | Washer                   |                                 | 1  |
| 3.11 | 000403-209 | Flat Head Phillip Screw  | M6*1.0P*8                       | 1  |
| 3.12 | 000303-202 | Pan Head Phillip Screw   | M5*0.8P*8                       | 1  |
| 3.13 | 006002-009 | Flat Washer              | 5.2*10*1.0t                     | 1  |
| 3.14 | 251305-620 | Pointer                  |                                 | 1  |
| 3.15 | 924563-000 | Adjusting Wheel Assembly |                                 | 1  |
| 3.16 | 280272-000 | Spring                   |                                 | 1  |
| 3.17 | 130378-903 | Spacer                   |                                 | 1  |
| 3.18 | 000201-105 | SET Screw                | M4*0.7P*4                       | 1  |
| 3.19 | 381388-904 | Handle                   |                                 | 1  |
| 3.20 | 000102-102 | Cap Screw                | M5*0.8P*8                       | 2  |
| 3.21 | 574852-000 | Scale                    |                                 | 1  |
| 3.22 | 002301-201 | Rivet                    | 2*5                             | 2  |
| 4    | 051386-000 | Extension Table          |                                 | 2  |
| 6    | 924397-001 | Table Insert Assembly    |                                 | 1  |
| 6.1  | 251262-663 | Table Insert             |                                 | 1  |
| 6.2  | 006011-187 | Flat Washer              | 5.3*16*1.0t                     | 2  |
| 6.3  | 270077-902 | Wear Plate -Right        |                                 | 1  |
| 6.4  | 420022-000 | Double-Sided Adhesive    | 3M VHB F-9473 PC t= 0.25mm      | 1  |
| 6.5  | 001901-104 | Set screw                | M5*0.8P*12                      | 4  |
| 6.6  | 002002-101 | Round Head Phillip Screw | M5*0.8P*8                       | 2  |
| 6.7  | 270078-902 | Wear Plate -Left         |                                 | 1  |
| 6.8  | 420023-000 | Double-Sided Adhesive    | 3M VHB F-9473 PC t= 0.25mm      | 1  |
| 7    | 051368-000 | Table                    |                                 | 1  |
| 8    | 006001-049 | Flat Washer              | 8.5*16*2.0t                     | 23 |
| 9    | 000003-104 | Hex. Screw               | M8*1.25P*20                     | 13 |
| 10   | 051370-000 | Up-down Bracket          |                                 | 1  |
| 11   | 008006-100 | Hex Nut                  | M8*1.25P(13B*6.5H)              | 4  |
| 12   | 280258-905 | Spring                   |                                 | 1  |
| 13   | 000104-106 | Cap Screw                | M8*1.25P*20                     | 5  |
| 14   | 901081-001 | Motor Assy               | 3HP*230V*60HZ*1PH*2P            | 1  |
| 14.1 | 001902-110 | SET Lock Screw           | M6*1.0P*8                       | 1  |
| 14.2 | 012202-002 | Key                      | 5*5*30                          | 1  |
| 14.3 | 381282-902 | Motor Pulley             | 60HZ                            | 1  |
| 14.4 | 603145-000 | Motor                    | 3HP*220V~240V*60HZ*1PH*2P*13.9A | 1  |
| 15   | 006001-069 | Flat Washer              | 10*20*3.0t                      | 1  |
| 16   | 006307-100 | Spring Washer            | 10.2*18.5                       | 1  |
| 17   | 000004-103 | Hex. Screw               | M10*1.5P*30                     | 1  |
| 18   | 360863-901 | Motor Fixing Shaft       |                                 | 1  |

|    |            |                              |                   |    |
|----|------------|------------------------------|-------------------|----|
| 19 | 008308-100 | Lock Nut                     | M10*1.5P(17B*12H) | 1  |
| 20 | 008306-100 | Lock Nut                     | M8*1.25P(13B*9H)  | 3  |
| 21 | 010005-000 | Retaining Ring               | STW-14            | 1  |
| 22 | 130359-903 | Bracket for Riving Knife     |                   | 1  |
| 23 | 000104-104 | Cap Screw                    | M8*1.25P*16       | 2  |
| 24 | 280259-901 | Spring                       |                   | 1  |
| 25 | 130363-903 | Bushing                      |                   | 1  |
| 26 | 130360-903 | Block                        |                   | 1  |
| 27 | 174396-904 | Riving Knife                 |                   | 1  |
| 28 | 001902-110 | SET Lock Screw               | M6*1.0P*8         | 5  |
| 29 | 000804-106 | Round Head Screw             | M5*0.8P*16        | 2  |
| 30 | 361251-905 | Pin                          |                   | 1  |
| 31 | 361250-901 | Fixing Knob                  |                   | 1  |
| 32 | 110071-000 | Lock Handle                  |                   | 1  |
| 33 | 390017-000 | Sawblade                     | 10"*40T           | 1  |
| 34 | 174399-901 | Sawblade clamp               |                   | 1  |
| 35 | 380205-901 | Nut                          | TW5/8"-12         | 1  |
| 37 | 002503-101 | Round Head Socket Lock Screw | M5*0.8P*12        | 8  |
| 38 | 051369-000 | Upper Trunnion               |                   | 1  |
| 40 | 002601-107 | Locking CAP screw            | M8*1.25P*25       | 2  |
| 41 | 174773-000 | Fixing Plate                 |                   | 1  |
| 43 | 251398-615 | Dust Hood                    |                   | 1  |
| 44 | 002002-101 | Round Head Phillip Screw     | M5*0.8P*8         | 5  |
| 46 | 174325-156 | Arbor Lock Handle            |                   | 1  |
| 47 | 280260-901 | Spring                       |                   | 1  |
| 48 | 010206-000 | Retaining Ring               |                   | 2  |
| 50 | 042608-000 | Clamp                        | 60-80mm(I.D.)     | 2  |
| 51 | 042620-008 | Dust Hose                    | 2.5"*800mm        | 1  |
| 52 | 008316-200 | Lock Nut                     | M10*1.5P(17B*8H)  | 1  |
| 53 | 006001-075 | Flat Washer                  | 10.3*22*2.0t      | 1  |
| 54 | 010103-000 | Retaining Ring               | RTW-35            | 1  |
| 55 | 030211-002 | Ball Bearing                 | 6003              | 2  |
| 56 | 190270-901 | Spacer                       |                   | 1  |
| 57 | 174305-901 | Fixed Plate                  |                   | 1  |
| 58 | 014354-000 | Poly-V-Belt                  | 135J7             | 1  |
| 59 | 381281-902 | Arbor                        |                   | 1  |
| 60 | 000002-103 | Hex. Screw                   | M6*1.0P*16        | 1  |
| 61 | 006001-020 | Flat Washer                  | 6.2*20*3.0t       | 1  |
| 62 | 006007-114 | Flat Washer                  | 6.4*16*1.6t       | 1  |
| 63 | 361245-901 | Lead Screw                   |                   | 1  |
| 64 | 010007-000 | Retaining Ring               | STW-16            | 1  |
| 65 | 012002-003 | Key                          | 4*4*8             | 2  |
| 66 | 174324-000 | Washer                       |                   | 1  |
| 67 | 031011-001 | Bearing                      | 51100             | 2  |
| 68 | 090324-000 | Trunnion Base                |                   | 1  |
| 69 | 130257-000 | Bevel Gear                   |                   | 2  |
| 70 | 006001-025 | Flat Washer                  | 6.4*16*1.0t       | 1  |
| 71 | 008317-300 | Lock Nut                     | M6*1.0P(10B*5H)   | 2  |
| 72 | 361246-000 | Column                       |                   | 2  |
| 73 | 002601-108 | Locking CAP screw            | M8*1.25P*35       | 2  |
| 74 | 006305-100 | Spring Washer                | 8.2*15.4          | 14 |
| 75 | 006001-078 | Flat Washer                  | 10.5*19*1.5t      | 1  |
| 76 | 190273-901 | Bushing                      |                   | 1  |

|           |            |  |                        |   |
|-----------|------------|--|------------------------|---|
| 77        | 000202-101 | SET Screw                                  | M5*0.8P*5              | 2 |
| 78        | 174309-901 | Rotary Gear Plate                          |                        | 1 |
| 79        | 011004-101 | Spring Pin                                 | 6*16                   | 2 |
| 80        | 174322-156 | Pointer                                    |                        | 1 |
| 81        | 002402-101 | Round Head Lock Screw w/Washer             | M5*0.8P*12/5*10.5*1.0t | 1 |
| 82        | 361261-901 | Shaft                                      |                        | 1 |
| 83        | 251276-615 | Bushing                                    |                        | 1 |
| 84        | 924505-000 | Handwheel Assembly                         |                        | 2 |
| 85        | 920703-000 | Fixing Knob                                |                        | 2 |
| 86        | 090326-000 | Worm Gear Box                              |                        | 1 |
| 87        | 320395-901 | Worm Gear Shaft                            |                        | 1 |
| 88        | 030106-001 | Ball Bearing                               | 6201                   | 1 |
| 89        | 010102-000 | Retaining Ring                             | RTW-32                 | 1 |
| 90        | 130361-000 | Gear                                       |                        | 1 |
| 91        | 006001-127 | Flat Washer                                | 5.5*22*2.0t            | 1 |
| 92        | 000001-109 | Hex. Screw                                 | M5*0.8P*12             | 1 |
| 93        | 000104-113 | Cap Screw                                  | M8*1.25P*45            | 2 |
| 94        | 320394-901 | Worm Shaft                                 |                        | 1 |
| 95        | 001902-109 | Set screw                                  | M6*1.0P*6              | 3 |
| 96        | 012002-007 | Key  | 4*4*20                 | 1 |
| 97        | 030104-001 | Ball Bearing                               | 6005                   | 1 |
| 98        | 010011-000 | Retaining Ring                             | STW-25                 | 1 |
| 99        | 010004-000 | Retaining Ring                             | STW-13                 | 1 |
| 100       | 010107-000 | Retaining Ring                             | RTW-47                 | 1 |
| 101       | 361262-901 | Shaft                                      |                        | 1 |
| 102       | 360734-901 | Bushing                                    |                        | 1 |
| 103       | 000304-107 | Pan Head Screw                             | M6*1.0P*16             | 4 |
| 104       | 251239-615 | Motor Cover                                |                        | 1 |
| 105       | 051135-000 | Trunnion Support                           |                        | 2 |
| 106       | 000003-105 | Hex. Screw                                 | M8*1.25P*25            | 4 |
| 108       | 008005-100 | Hex Nut                                    | M6*1.0P(10B*5H)        | 2 |
| 109       | 000002-105 | Hex. Screw                                 | M6*1.0P*25             | 2 |
| 110       | 020003-000 | Strain Relief                              | SB7R-3                 | 1 |
| 111       | 006001-001 | Flat Washer                                | 4.3*10*1.0t            | 2 |
| 112       | 000302-102 | Pan Head Screw                             | M4*0.7P*8              | 2 |
| 113       | 004001-101 | Knob                                       | 5/16"-18NC*3/4"        | 2 |
| 114       | 000003-316 | Hex. Screw                                 | M8*1.25P*60            | 2 |
| 115       | 250399-615 | Wheel                                      |                        | 2 |
| 116       | 006001-022 | Flat Washer                                | 6.3*13*1.0t            | 4 |
| 117       | 230041-000 | Leveling foot                              |                        | 2 |
| 120       | 251251-615 | Storage Box                                |                        | 1 |
| 121       | 001603-102 | Round Head Screw w/Washer                  | M6*1.0P*10/6*13.2*1.0t | 6 |
| 122       | 170965-904 | Fix Plate                                  |                        | 1 |
| 123       | 250407-615 | Worm Shaft Bracket                         |                        | 1 |
| 124       | 937880-001 | Magnetic Switch Assy                       | 3HP                    | 1 |
| 124.1     | 937881-001 | Magnetic Switch Assy                       | KJD17B-230V            | 1 |
| 124.2     | 937882-001 | Magnetic Switch Assy                       | No Button              | 1 |
| 125       | 453012-023 | Power Cord                                 | SJT14AWG*3C*2550mm     | 1 |
| 127-B     | 924970-001 | 52" Rail. Right Table. Rear Table Assembly | 52"                    | 1 |
| 127-B.1   | 924971-000 | 52" Rail Assembly                          | 52"                    | 1 |
| 127-B.1.1 | 924924-001 | Rear Rail                                  | 52"                    | 1 |
| 127-B.1.2 | 924920-002 | Front Rail Assembly                        | 52"                    | 1 |

|             |            |                            |                        |    |
|-------------|------------|----------------------------|------------------------|----|
| 127-B.1.3   | 924921-000 | Front Rail Bracket         | 52"                    | 1  |
| 127-B.2     | 924783-001 | Rear Rail (L)              |                        | 1  |
| 127-B.3     | 924768-001 | Front Rail (L)             |                        | 1  |
| 127-B.4     | 924772-001 | Front Rail Bracket (L)     |                        | 1  |
| 127-B.6     | 924809-001 | Right Table                |                        | 1  |
| 127-B.6.1   | 001803-102 | CAP Scewe w/Spring Washer  | M8*1.25P*20/8.2*15.4   | 4  |
| 127-B.6.2   | 006001-049 | Flat Washer                | 8.5*16*2.0t            | 8  |
| 127-B.6.3   | 008006-100 | Hex. Nut                   | M8*1.25P(13B*6.5H)     | 10 |
| 127-B.6.4   | 000704-102 | Flat Head Hex. Screw       | M8*1.25P*25            | 4  |
| 127-B.6.5   | 230041-000 | Leveling foot              |                        | 2  |
| 127-B.6.7   | 440077-000 | Right Table                |                        | 1  |
| 127-B.6.8   | 173139-902 | Brace                      |                        | 4  |
| 127-B.6.9   | 230086-901 | Tapping Screw              |                        | 8  |
| 127-B.6.10  | 190205-308 | Leg                        |                        | 2  |
| 127-B.7     | 924969-000 | Connect Plate              |                        | 1  |
| 127-B.8     | 924796-000 | Rear Table Assembly        |                        | 1  |
| 127-B.8.1   | 924797-000 | Rear Table Assembly        |                        | 1  |
| 127-B.8.1.1 | 008308-100 | Lock Nut                   | M10*1.5P(17B*12H)      | 4  |
| 127-B.8.1.2 | 000004-112 | Hex. Screw                 | M10*1.5P*45            | 4  |
| 127-B.8.1.3 | 049201-101 | Hex. Screw w/ Flat Washer  | M8*1.25P*16/(13B*6.5H) | 3  |
| 127-B.8.1.5 | 174780-904 | Support Plate              |                        | 1  |
| 127-B.8.1.6 | 001102-505 | Round Head Tapping Screw   | M4*1.59P*16            | 16 |
| 127-B.8.1.7 | 440099-000 | Rear Table                 |                        | 1  |
| 127-B.8.1.8 | 171301-904 | Fixing Plate               |                        | 4  |
| 127-B.8.2   | 924798-000 | Leg Assembly               |                        | 1  |
| 127-B.8.2.1 | 190208-365 | Leg                        |                        | 2  |
| 127-B.8.2.2 | 008006-100 | Hex. Nut                   | M8*1.25P(13B*6.5H)     | 2  |
| 127-B.8.2.3 | 230041-000 | Leveling foot              | S20C+NBR               | 2  |
| 127-B.10    | 000704-102 | Flat Head Hex. Screw       | M8*1.25P*25            | 3  |
| 127-B.11    | 049201-102 | Hex. Screw w/Flat Washer   | M8*1.25P*12/(13B*5.5H) | 9  |
| 127-B.12    | 006305-100 | Spring Washer              | 8.2*15.4               | 3  |
| 127-B.13    | 001803-103 | CAP Screw w/ Spring Washer | M8*1.25P*25/8.2*13.7   | 5  |
| 127-B.14    | 006001-049 | Flat Washer                | 8.5*16*2.0t            | 9  |
| 127-B.15    | 008006-100 | Hex. Nut                   | M8*1.25P(13B*6.5H)     | 10 |
| 127-B.16    | 000003-105 | Hex. Nut                   | M8*1.25P*25            | 2  |
| 118         | 170541-904 | Slide Shelf                |                        | 2  |
| 119         | 049201-101 | Hex. Screw w/Flat Washer   | M8*1.25P*16/(13B*6.5H) | 2  |
| 130         | 251362-615 | Push Sticks                |                        | 1  |
| 133         | 040002-000 | Hex. Wrench                | 2.5mm                  | 1  |
| 188         | 040013-000 | Hex. Wrench                | 5mm                    | 1  |
| 134         | 040006-000 | Hex. Wrench                | 6mm                    | 1  |
| 135         | 174569-904 | Open Wrench                | 10*13                  | 1  |
| 137         | 174315-904 | Arbor Wrench               |                        | 1  |
| 140         | 041501-004 | Plastic Paper              | 1220*790*0.04t         | 1  |
| 145         | 174469-000 | Stand                      |                        | 1  |
| 146         | 021311-000 | Strain Relief              | PGA13.5-11B            | 1  |
| 152         | 012002-005 | Key                        | 4*4*12                 | 2  |
| 153         | 049201-101 | Hex Screw w/Washer         | M8*1.25P*16/(13B*6.5H) | 1  |
| 154         | 130368-903 | Adjusting Bushing          |                        | 1  |
| 155         | 001901-101 | Set screw                  | M5*0.8P*5              | 1  |
| 159         | 010001-000 | Retaining Ring             | STW-10                 | 1  |
| 160         | 043322-000 | O-Ring                     | P11                    | 1  |



|         |            |                                  |                        |   |
|---------|------------|----------------------------------|------------------------|---|
| 161     | 002402-102 | Round Head Lock Screw w/Washer   | M5*0.8P*10-5*16*1.5t   | 4 |
| 162     | 011001-103 | Spring Pin                       | 3*10                   | 1 |
| 166     | 174398-904 | Hook                             |                        | 1 |
| 167     | 251243-615 | Knob                             |                        | 1 |
| 168     | 006701-100 | Wave Washer                      | WW-6                   | 1 |
| 169     | 006001-137 | Flat Washer                      | 5.3*16*1.5t            | 1 |
| 170     | 008302-100 | Lock Nut                         | M5*0.8P(8B*6H)         | 1 |
| 171     | 001104-703 | Round Head Tapping Screw         | M5*2.12P*12            | 2 |
| 172     | 049201-102 | Hex Screw w/Washer               | M8*1.25P*12/(13B*5.5H) | 2 |
| 175     | 041502-010 | Plastic Paper                    | 750*1400*0.1t          | 1 |
| 176     | 006001-045 | Flat Washer                      | 8.5*16*1.0t            | 3 |
| 178     | 251418-615 | Adaptor                          |                        | 1 |
| 179     | 000303-104 | Pan Head Screw                   | M5*0.8P*12             | 3 |
| 181     | 006702-100 | Wave Washer                      | WW-8                   | 2 |
| 182     | 020002-000 | Strain Relief                    | SB7R-1                 | 1 |
| 185     | 000003-102 | Hex. Screw                       | M8*1.25P*16            | 4 |
| 186     | 174711-000 | Fix Plate                        |                        | 2 |
| 188     | 200108-000 | Sponge                           |                        | 1 |
| 189     | 174772-000 | Plate                            |                        | 1 |
| 190     | 924854-001 | Over Head Guards Assembly        | 36"                    |   |
| 190.1   | 042620-015 | Dust Hose                        | 1.5"*2700mm            | 1 |
| 190.2   | 174887-904 | Brace                            |                        | 1 |
| 190.3   | 850913-001 | Hardware Bag for Over Head Guard | 36"                    | 1 |
| 190.3.1 | 001803-103 | CAP Screw w/ Spring Washer       | M8*1.25P*25/8.2*13.7   | 1 |
| 190.3.2 | 006001-049 | Flat Washer                      | 8.5*16*2.0t            | 1 |
| 190.3.3 | 008006-100 | Hex Nut                          | M8*1.25P(13B*6.5H)     | 1 |
| 190.3.4 | 042622-001 | Clamp                            | 1.5"                   | 2 |

**LAGUNA®**

2072 Alton Parkway Irvine, CA 92606 U.S.A.

Service: +1 (949) 474-1200 or email [customerservice@lagunatools.com](mailto:customerservice@lagunatools.com)  
[lagunatools.com](http://lagunatools.com)

The information contained in this publication was correct at the time of print. In the interest of continuous innovation, we reserve the right to change specifications, design or included equipment without notice or obligation. No part of this publication may be reproduced, transmitted, or translated into any language in any form by any means without our written permission. Errors and omissions may be current.

Laguna Tools, Inc. LAGUNA® and the LAGUNA Logo® are the registered trademarks of Laguna Tools, Inc. All rights reserved. 04/01/2019